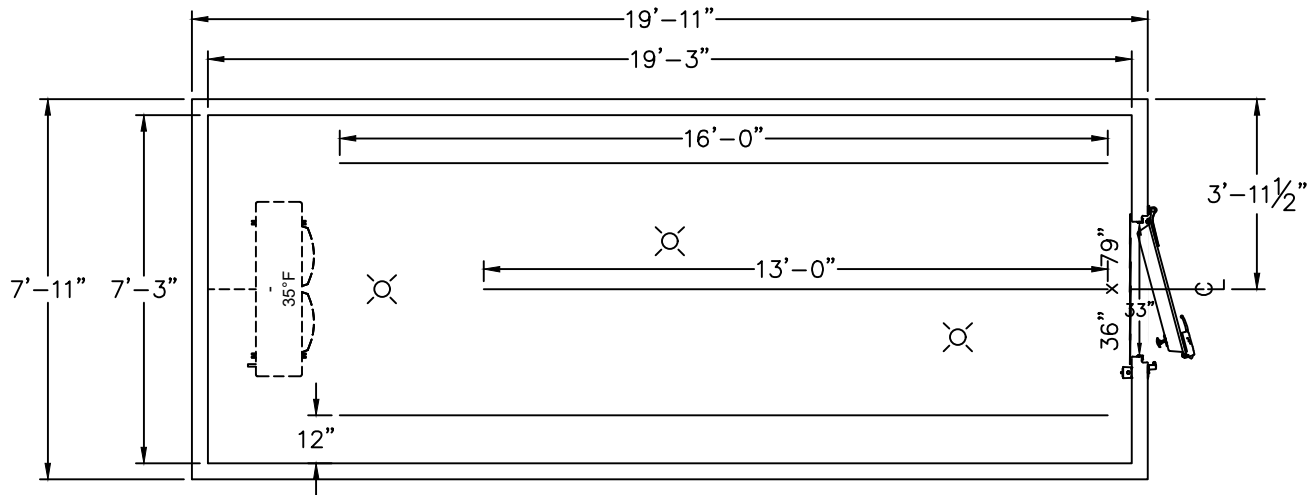


ROOM TEMP.:
35°F
 INTERIOR AREA:
140 sq. ft.
 HORSEPOWER:
—
 REFRIGERANT:
—
 ELEC. SUPPLY
115/208-230
 PHASE:
Single
 CYCLE:
60 hz.
 AMPERAGE:
—



PLAN VIEW

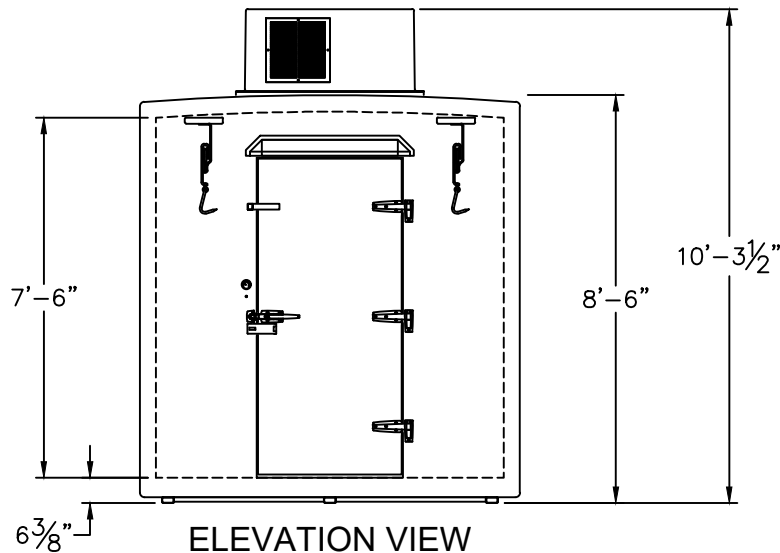
4" WALLS
 4" CROWNED ROOF
 1/2" STANDARD DUTY FLOOR
 STRIP CURTAINS
 (3) MEAT RAILS

***REFRIGERATION TO BE DETERMINED
 ***ADDITIONAL REINFORCEMENT MAY BE NEEDED

DRAWING APPROVAL

PLEASE INDICATE YOUR APPROVAL OF THIS DESIGN, THE DIMENSIONS, DOOR LOCATION/SWING, ELECTRICAL REQUIREMENTS, AND EQUIPMENT LOCATIONS BY SIGNING BELOW AND RETURNING TO POLAR KING.

DATE: _____ BY: _____



ELEVATION VIEW

Meat Rail Layouts

TBD

DRAWN BY: RLM MODEL NO.: H820 SCALE: 1/4" = 1' DATE: 5/27/20

DRAWING NAME: Meat Rail Layouts H820 TBD



POLAR KING
 INTERNATIONAL, INC.
 FORT WAYNE, INDIANA 1-800-752-7178

THE REFRIGERATION SYSTEM SHOWN IS DESIGNED TO MAINTAIN INDICATED TEMPERATURE IF PRODUCT ENTERS WITHIN 10°F OF FINAL HOLDING TEMPERATURE. PLEASE CONTACT YOUR SALES REP IF INCOMING PRODUCT WILL BE ENTERING AT HIGHER TEMPERATURES. REFRIGERATION DESIGN IS SUBJECT TO CHANGE FOR IMPROVEMENTS. ALL DIMENSIONS ARE NOMINAL. FINAL DIMENSIONS WILL BE ±1 INCH OF DRAWING DIMENSIONS. CONTACT YOUR SALES REP IF TIGHTER TOLERANCES ARE REQUIRED.