



DEPARTMENT OF REGULATORY AND ECONOMIC RESOURCES
BOARD AND CODE ADMINISTRATION DIVISION

MIAMI-DADE COUNTY
PRODUCT CONTROL SECTION
11805 SW 26 Street, Room 208
Miami, Florida 33175-2474
T (786) 315-2590 F (786) 315-2599

www.miamidade.gov/economy

NOTICE OF ACCEPTANCE (NOA)

Polar King International
4424 New Haven Avenue
Fort Wayne, IN 46803

SCOPE:

This NOA is being issued under the applicable rules and regulations governing the use of construction materials. The documentation submitted has been reviewed and accepted by Miami-Dade County RER-Product Control Section to be used in Miami Dade County and other areas where allowed by the Authority Having Jurisdiction (AHJ).

This NOA shall not be valid after the expiration date stated below. The Miami-Dade County Product Control Section (In Miami Dade County) and/or the AHJ (in areas other than Miami Dade County) reserve the right to have this product or material tested for quality assurance purposes. If this product or material fails to perform in the accepted manner, the manufacturer will incur the expense of such testing and the AHJ may immediately revoke, modify, or suspend the use of such product or material within their jurisdiction. RER reserves the right to revoke this acceptance if it is determined by Miami-Dade County Product Control Section that this product or material fails to meet the requirements of the applicable building code.

This product is approved as described herein and has been designed to comply with the High Velocity Hurricane Zone of the Florida Building Code.

DESCRIPTION: Walk-In Cooler / Freezer

APPROVAL DOCUMENT: Drawing No. 16-08, titled "Walk-In Cooler / Freezer", sheets 1 through 7 of 7, prepared by Al-Farooq Corporation, dated 10/21/2016, revision #C dated 11/12/2020, signed and sealed by Jalal Farooq, P.E., on 11/17/2020, bearing the Miami-Dade County Product Control Revision stamp with the Notice of Acceptance number and the expiration date by the Miami-Dade County Product Control Section.

MISSILE IMPACT RATING: Large and Small Missile Impact Resistant

LABELING: Each unit shall bear a permanent label with the manufacturer's name or logo, city, state and the following statement: "Miami-Dade County Product Control Approved", unless otherwise noted herein.

RENEWAL of this NOA shall be considered after a renewal application has been filed and there has been no change in the applicable building code negatively affecting the performance of this product.

TERMINATION of this NOA will occur after the expiration date or if there has been a revision or change in the materials, use, and/or manufacture of the product or process. Misuse of this NOA as an endorsement of any product, for sales, advertising or any other purposes shall automatically terminate this NOA. Failure to comply with any section of this NOA shall be cause for termination and removal of NOA.

ADVERTISEMENT: The NOA number preceded by the words Miami-Dade County, Florida, and followed by the expiration date may be displayed in advertising literature. If any portion of the NOA is displayed, then it shall be done in its entirety.

INSPECTION: A copy of this entire NOA shall be provided to the user by the manufacturer or its distributors and shall be available for inspection at the job site at the request of the Building Official.

This NOA **renews NOA #20-1123.16** and consists of this page 1, evidence submitted pages E-1 & E-2 as well as approval document mentioned above.

The submitted documentation was reviewed by **Helmy A. Makar, P.E., M.S.**



Helmy A. Makar
11/24/2021

NOA No. 21-0914.04
Expiration Date: 07/13/2027
Approval Date: 11/24/2021
Page 1

Polar King International

NOTICE OF ACCEPTANCE: EVIDENCE SUBMITTED

1. EVIDENCE SUBMITTED UNDER PREVIOUS APPROVAL #16-1018.10

A. DRAWINGS

1. *Drawing No. 16-08, titled "Walk-In Cooler / Freezer", sheets 1 through 7 of 7, prepared by Al-Farooq Corporation, dated 10/21/2016, revision #A dated 06/15/2017, signed and sealed by Javad Ahmad, P.E., on 06/26/2017.*

B. TESTS

1. *Test report on Uniform Static air Pressure, Large Missile Impact, Cyclic Load, on Reinforced Fiberglass Sheathed Polyurethane Foam Filled Modular Panel Walk-in Coolers / Freezers, prepared by Intertek/Architectural Testing, Report No. F8379.01-109-18, dated 10/11/2016, signed and sealed by Joseph A. Reed, P.E.*
2. *Test report on Uniform Static air Pressure, Large Missile Impact, Cyclic Load, on Reinforced Fiberglass Sheathed Polyurethane Foam Filled Modular Panel Walk-in Coolers / Freezers, prepared by Intertek/Architectural Testing, Report No. F8375.01-109-18, dated 10/11/2016, signed and sealed by Joseph A. Reed, P.E.*
3. *Test report on Uniform Static air Pressure, Large Missile Impact, Cyclic Load, on Reinforced Fiberglass Sheathed Polyurethane Foam Filled Modular Panel Walk-in Coolers / Freezers, prepared by Intertek/Architectural Testing, Report No. F8373.01-109-18, dated 10/11/2016, signed and sealed by Joseph A. Reed, P.E.*
4. *Test report on Racking Load on Reinforced Fiberglass Sheathed Polyurethane Foam Filled Modular Panel Walk-in Coolers, prepared by Intertek/Arch. Testing, Report #G7444.01-119-18, dated 05/02/17, signed, sealed by Joseph A. Reed, P.E.*
5. *Test report on Gravity Load on Reinforced Fiberglass Sheathed Polyurethane Foam Filled Modular Panel Walk-in Coolers, prepared by Intertek Arch. Testing, Report #G7444.02-119-18, dated 04/06/17, signed, sealed by Joseph A. Reed, P.E.*

C. CALCULATIONS

1. *Calculation titled "Fiberglass Walk-In Cooler/Freezer Large Missile-Impact", dated January 31, 2017, 9 sheets, prepared by Al-Farooq Corporation, signed and sealed by Javad Ahmad, P.E., on 05/10/2017.*

D. QUALITY ASSURANCE

1. *By Miami-Dade County Department of Regulatory and Economic Resources.*

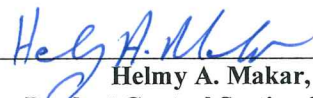
E. MATERIAL CERTIFICATIONS

1. *None.*

2. EVIDENCE SUBMITTED UNDER PREVIOUS APPROVAL #18-0516.05

A. DRAWINGS

1. *Drawing No. 16-08, titled "Walk-In Cooler / Freezer", sheets 1 through 7 of 7, prepared by Al-Farooq Corporation, dated 10/21/2016, revision #B dated 04/26/2018, signed and sealed by Javad Ahmad, P.E., on 05/04/2018.*



Helmy A. Makar, P.E., M.S.
Product Control Section Supervisor

NOA No. 21-0914.04

Expiration Date: 07/13/2027

Approval Date: 11/24/2021

Polar King International

NOTICE OF ACCEPTANCE: EVIDENCE SUBMITTED

B. TESTS

1. *None.*

C. CALCULATIONS

1. *None.*

D. QUALITY ASSURANCE

1. *By Miami-Dade County Department of Regulatory and Economic Resources.*

E. MATERIAL CERTIFICATIONS

1. *None.*

3. EVIDENCE SUBMITTED UNDER PREVIOUS APPROVAL #20-1123.16

A. DRAWINGS

1. *Drawing No. 16-08, titled "Walk-In Cooler / Freezer", sheets 1 through 7 of 7, prepared by Al-Farooq Corporation, dated 10/21/2016, revision #C dated 11/12/2020, signed and sealed by Jalal Farooq, P.E., on 11/17/2020.*

B. TESTS

1. *None.*

C. CALCULATIONS

1. *None.*

D. QUALITY ASSURANCE

1. *By Miami-Dade County Department of Regulatory and Economic Resources.*

E. MATERIAL CERTIFICATIONS

1. *None.*

F. OTHERS

1. *FBC, 2020 Edition Compliance Letter prepared by Al-Farooq Corporation, dated 11/16/2020, signed and sealed by Jalal Farooq, P.E., on 11/16/2020.*

4. NEW EVIDENCE SUBMITTED

A. DRAWINGS

1. *None.*

B. TESTS

1. *None.*

C. CALCULATIONS

1. *None.*

D. QUALITY ASSURANCE

1. *By Miami-Dade County Department of Regulatory and Economic Resources.*

E. MATERIAL CERTIFICATIONS

1. *None.*



Helmy A. Makar, P.E., M.S.
Product Control Section Supervisor

NOA No. 21-0914.04

Expiration Date: 07/13/2027

Approval Date: 11/24/2021

SEAMLESS FIBERGLASS WALK-IN COOLER & FREEZER

URETHANE INSULATION COMPLETELY ENCASED IN FIBERGLASS.
INSULATION TO BE RIGID CLOSED CELL POLYISOCYANURATE FOAM
CHEMICALLY BONDED TO INTERIOR AND EXTERIOR FIBERGLASS TO
FORM A ONE-PIECE STRUCTURE.

WALLS: 0.15" EXTERIOR AND 0.15" INTERIOR REINFORCED FIBERGLASS
4-3/16" ROOF: 0.15" EXTERIOR AND 0.15" INTERIOR REINFORCED FIBERGLASS
6-1/2" ROOF: 0.31" EXTERIOR AND 0.25" INTERIOR REINFORCED FIBERGLASS
CONSISTING OF:
FIBERGLASS SPRAY GUN ROVING (207 YARDS PER POUND YIELD) IN GENERAL PURPOSE
POLYESTER RESIN AT 33%-34% GLASS CONTENT WITH NO FILLER.
4" 1.5 OZ WOVEN GLASS CLOTH

FRAME IS PERMANENTLY ATTACHED TO FIBERGLASS STRUCTURE WITH FIBERGLASS
WRAPPED OVER THE STEEL ANGLES

THE STRUCTURE CAN BE FIXED TO AN ENGINEERED CEMENT PAD WITH ANCHOR BOLTS.

THIS PRODUCT HAS BEEN DESIGNED AND TESTED TO COMPLY WITH THE
REQUIREMENTS OF THE 2017 (6TH EDITION)/2020 (7TH EDITION) FLORIDA
BUILDING CODE INCLUDING HIGH VELOCITY HURRICANE ZONE (HVHZ).

THIS PRODUCT CONTROL APPROVAL IS FOR THE WALK-IN AS SHOWN ON
THESE APPROVED DRAWINGS.
UPLIFT, OVERTURNING, FOUNDATIONS, FLOOR SLAB AND OTHER ELEMENTS
SHALL BE DESIGNED BY A REGISTERED PROFESSIONAL ENGINEER AND
REVIEWED BY THE STRUCTURAL PLANS EXAMINER OF THE CORRESPONDING
BUILDING DEPARTMENT.

ALL ELECTRICAL, MECHANICAL DETAILS AND FIRE RATING PROVISIONS ARE
NOT PART OF THIS APPROVAL AND SHALL BE PREPARED BY A REGISTERED
PROFESSIONAL ENGINEER AND REVIEWD BY CORRESPONDING BUILDING
DEPARTMENT.

STRUCTURAL STEEL SHALL CONFORM TO ASTM DESIGNATION A-36
GALVANIZED WITH A COATING DESIGNATION OF G90 MINIMUM.
MIN. Y.S. = 51,151 PSI.

POLYURETHANE SHALL BE RIGID FOAM MIN. DENSITY #2 C.F.
MAX. FLAME SPREAD RATING < 25 AS PER ASTM E-84
SMOKE DEVELOPED INDEX < 185
SPONTANEOUS-IGNITION TEMPERATURE: 600-800F

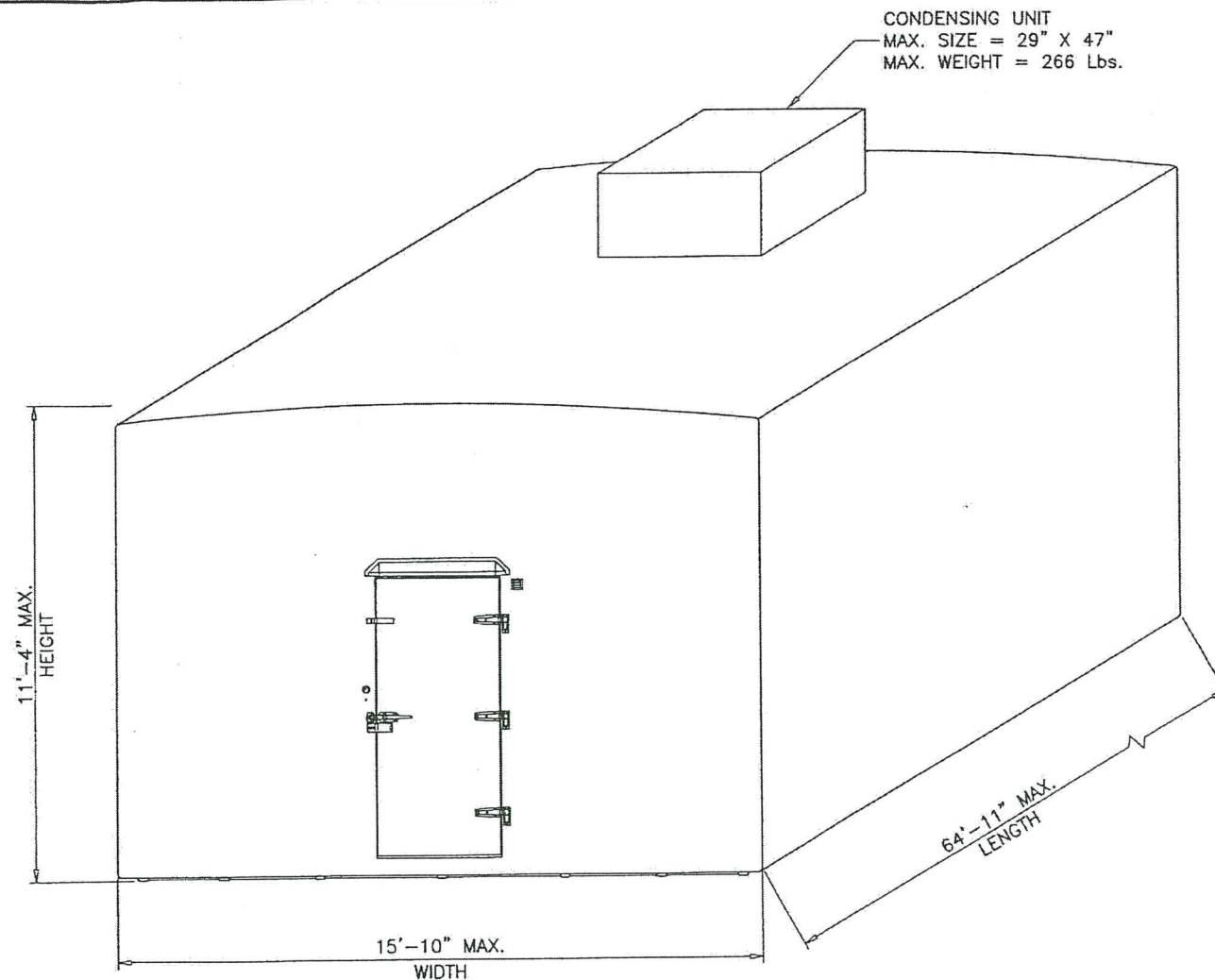
MATERIALS INCLUDING BUT NOT LIMITED TO STEEL/METAL SCREWS, THAT
COME INTO CONTACT WITH OTHER DISSIMILAR MATERIALS SHALL MEET THE
REQUIREMENTS OF THE 2017/2020 FLORIDA BLDG. CODE & ADOPTED STANDARDS.

DESIGN IS BASED ON TESTING IN ACCORDANCE WITH FLORIDA BUILDING CODE
LARGE MISSILE IMPACT TEST, TAS 201-94.
CYCLIC WIND PRESSURE TEST, TAS 203-94.
STATIC AIR PRESSURE TEST, TAS 202.
ASTM E72 FOR COMPONENT RACKING
24 HOUR GRAVITY LOAD TEST
(AIR AND WATER INFILTRATION WERE NOT TESTED)

THIS PRODUCT APPROVAL DOCUMENT IS GENERIC AND DOES NOT PROVIDE
INFORMATION FOR A SITE SPECIFIC PROJECT.

WALK-IN TO BE INSTALLED AS PER MANUFACTURER'S INSTALLATION
INSTRUCTIONS.

DESIGN LOADS SHOWN ARE BASED ON 'ALLOWABLE STRESS DESIGN (ASD)'.



TYPICAL ELEVATION

5" MIN. THK. WALLS
4-3/16" MIN. THK. ROOF
4-3/8" MIN. THK. DOOR LEAF
MAXIMUM DESIGN LOAD RATING = + 70.0 PSF
WALK-IN MAX. LENGTH = 64'-11" - 70.0 PSF
WALK-IN MAX. WIDTH = 9'-5"
WALK-IN MAX. HEIGHT = 11'-4"

5" MIN. THK. WALLS
6-1/2" MIN. THK. ROOF
4-3/8" MIN. THK. DOOR LEAF
MAXIMUM DESIGN LOAD RATING = + 70.0 PSF
WALK-IN MAX. LENGTH = 64'-11" - 70.0 PSF
WALK-IN MAX. WIDTH = 15'-10"
WALK-IN MAX. HEIGHT = 11'-4"

MAX. RACKING LOAD (ROOF PANELS) = 325 Lbs./LIN. FT. OF PANEL LENGTH
MAX. RACKING LOAD (WALL PANELS) = 640 Lbs./LIN. FT. OF PANEL LENGTH

PRODUCT RENEWED
as complying with the Florida
Building Code
Acceptance No 21-0914.04
Expiration Date 07/13/2027
By *Hegh A. Mah*
Miami Dept Product Control

PRODUCT REVISED
as complying with the Florida
Building Code
Acceptance No 20-1123.16
Expiration Date 07/13/2022
By *Hegh A. Mah*
Miami Dept Product Control
NOV 17 2020



AL-FAROOQ CORPORATION
ENGINEERS & PRODUCT DEVELOPMENT
9360 SUNSET DRIVE, SUITE 220
MIAMI, FLORIDA 33173
TEL. (305) 264-8100 FAX. (305) 262-6978

af c
COOLER 16-08PK

FIBERGLASS WALK-IN COOLER @ FREEZER

Polar King
INTERNATIONAL INC.
4424 New Haven Ave.
Fort Wayne, IN 46803
Ph: (260) 428-2530
Fax: (260) 428-2533

revisions:

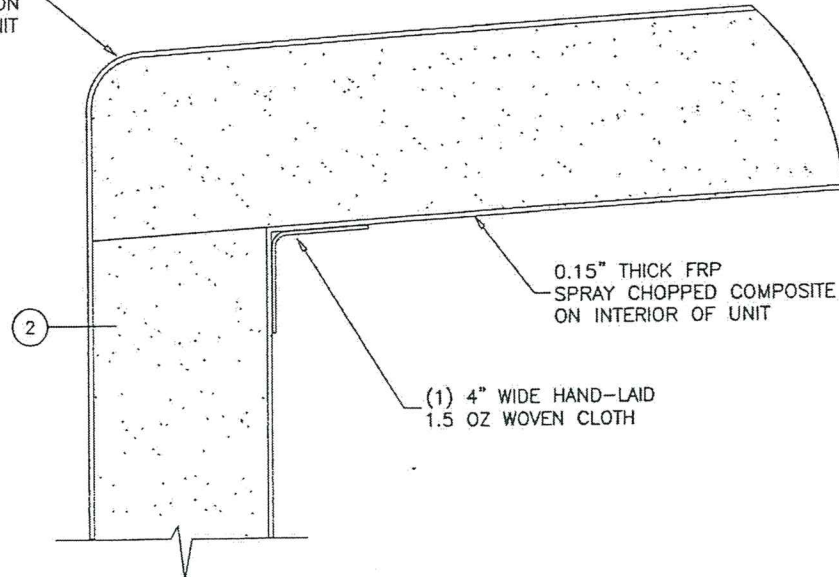
no	date	description	by
A	06.15.17	REV. PER RER COMMENTS	
B	04.26.18	UPDATED TO 2017 FBC	
C	11.12.20	UPDATED TO 2020 FBC	

date: 10-21-16
scale: -
dr. by: TARIQ
chk. by:

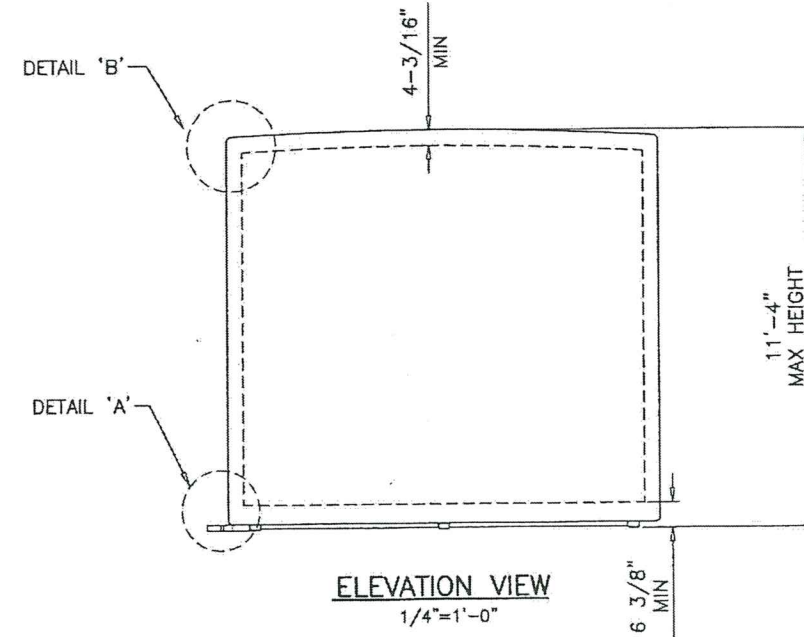
drawing no.
16-08

sheet 1 of 7

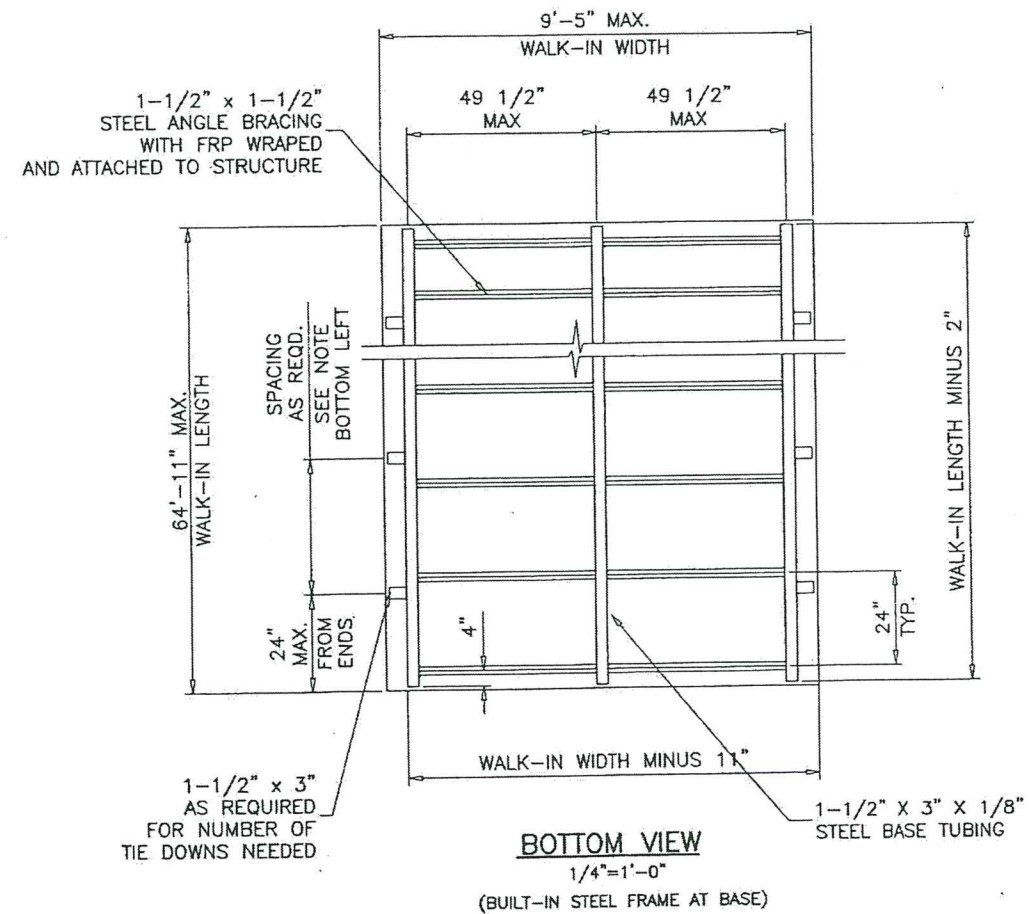
0.15" THICK FRP
SPRAY-CHOPPED
COMPOSITE ON
EXTERIOR OF UNIT



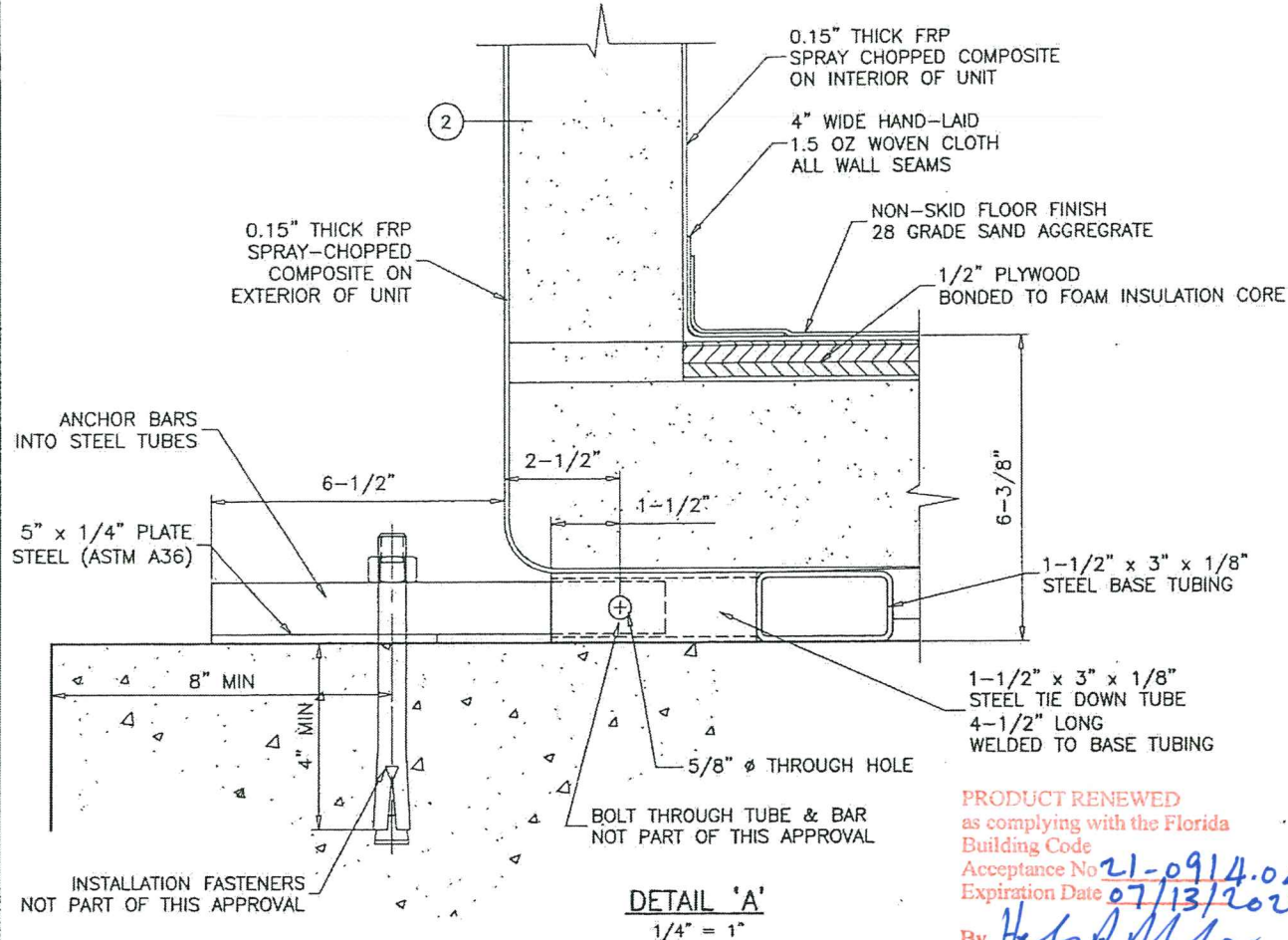
DETAIL 'B'
1/4" = 1"



ELEVATION VIEW
1/4" = 1'-0"



BOTTOM VIEW
1/4" = 1'-0"
(BUILT-IN STEEL FRAME AT BASE)



DETAIL 'A'
1/4" = 1"

WALK-IN COOLER INSTALLATION BY OTHERS
FLOOR SLAB AND SLAB FASTENERS SHALL BE DESIGNED
BY A REGISTERED PROFESSIONAL ENGINEER AND REVIEWED
BY THE STRUCTURAL PLANS EXAMINER OF THE CORRESPONDING
BUILDING DEPARTMENT.

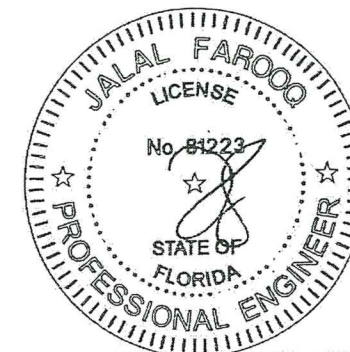
PRODUCT RENEWED
as complying with the Florida
Building Code
Acceptance No. 21-0914.04
Expiration Date 07/13/2027
By: *H. A. M. M.*
Miami Date Product Control

PRODUCT REVISED
as complying with the Florida
Building Code
Acceptance No. 20-1123.16
Expiration Date 07/13/2022
By: *H. A. M. M.*
Miami Date Product Control

5" THICK WALLS
4-3/16" THICK ROOF

NOV 17 2020

FOR WALK-INS UPTO 9'-5" WIDE

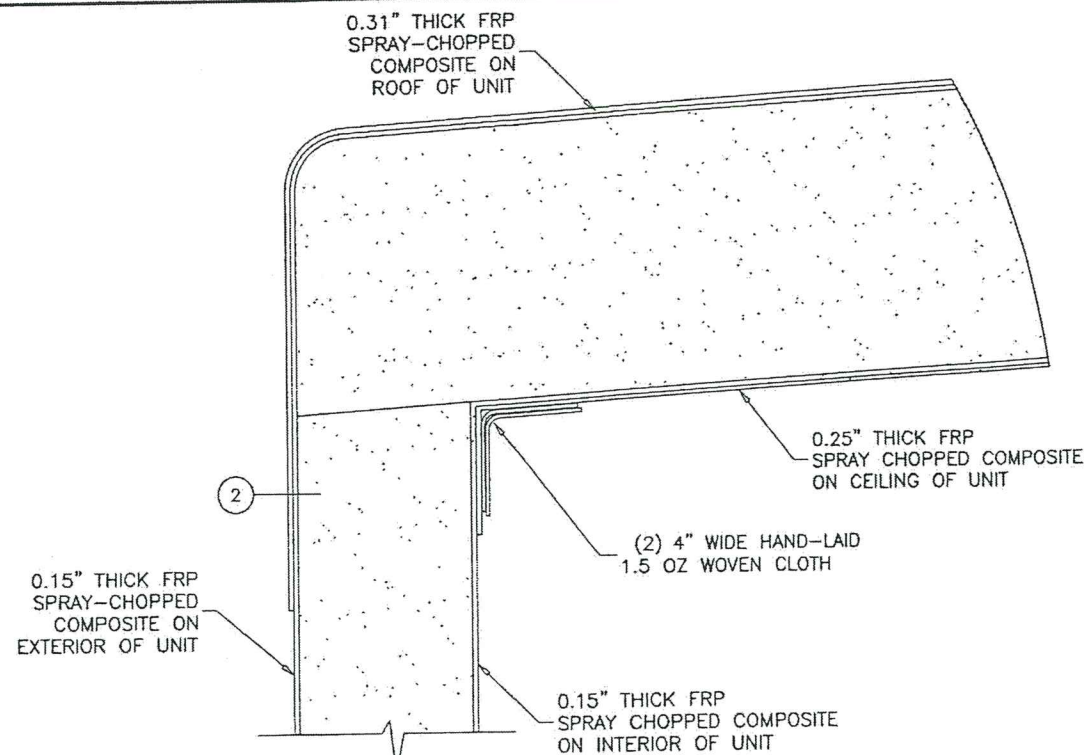


af c
AL-FAROOQ CORPORATION
ENGINEERS & PRODUCT DEVELOPMENT
9360 SUNSET DRIVE, SUITE 220
MIAMI, FLORIDA 33173 (C.A.N. 3538)
TEL. (305) 264-8100 FAX. (305) 262-6978
COOLER\16-08PK

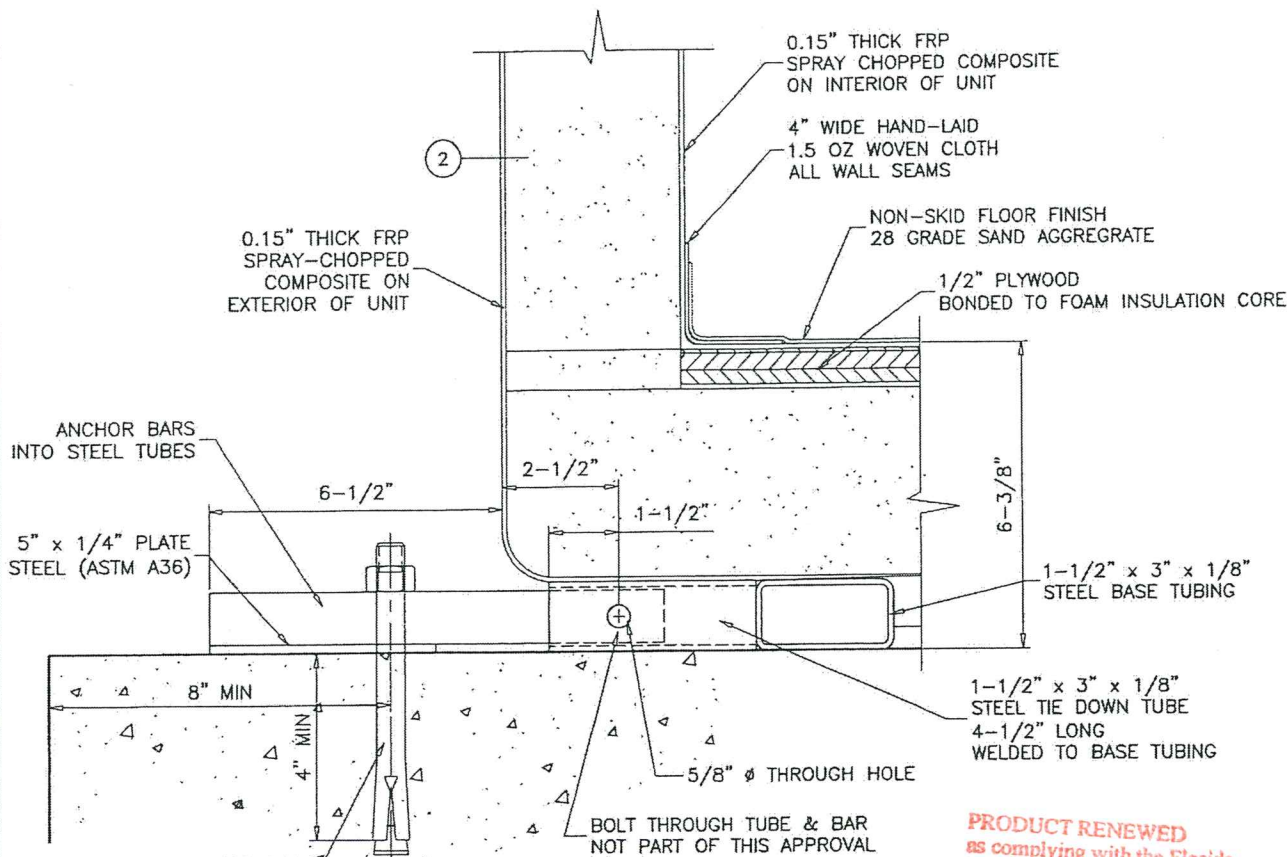
FIBERGLASS WALK-IN COOLER @ FREEZER
Polar King
INTERNATIONAL INC.
4424 New Haven Ave.
Fort Wayne, IN 46803
Ph: (260) 428-2530
Fax: (260) 428-2533

NO	DATE	DESCRIPTION	BY
A	06.15.17	REV. PER COMMENTS	
B	04.26.18	NO CHANGE THIS SHEET	
C	11.12.20	UPDATED TO 2020 FBC	

date: 10-21-16
scale: -
dr. by: TARIO
chk. by:
drawing no. 16-08
sheet 2 of 7



DETAIL 'B'
1/4" = 1"



DETAIL 'A'
1/4" = 1"

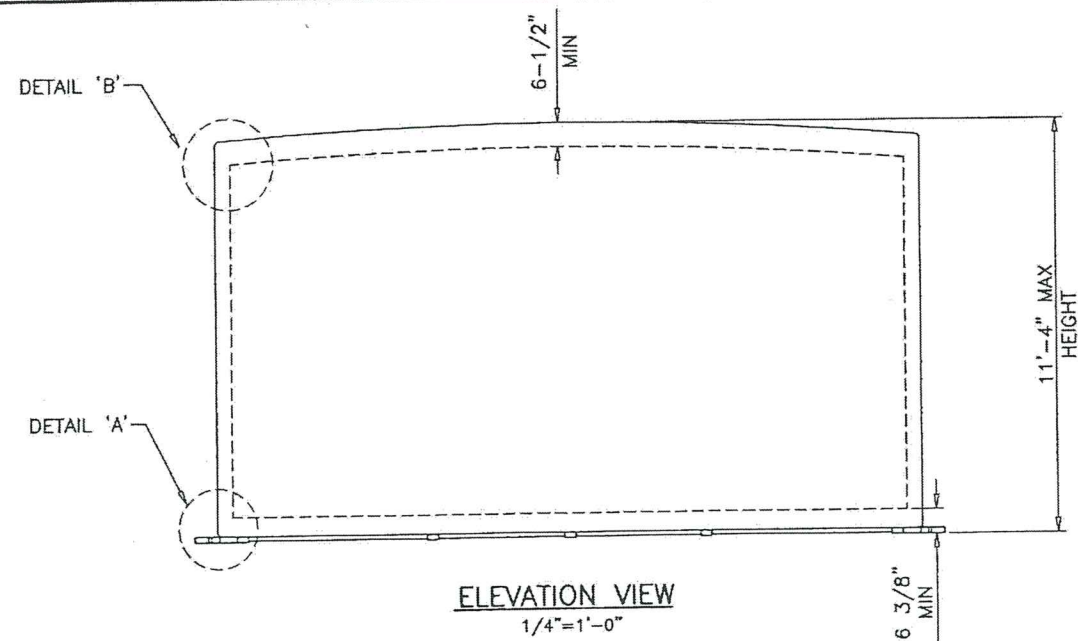
INSTALLATION FASTENERS NOT PART OF THIS APPROVAL

WALK-IN COOLER INSTALLATION BY OTHERS FLOOR SLAB AND SLAB FASTENERS SHALL BE DESIGNED BY A REGISTERED PROFESSIONAL ENGINEER AND REVIEWED BY THE STRUCTURAL PLANS EXAMINER OF THE CORRESPONDING BUILDING DEPARTMENT.

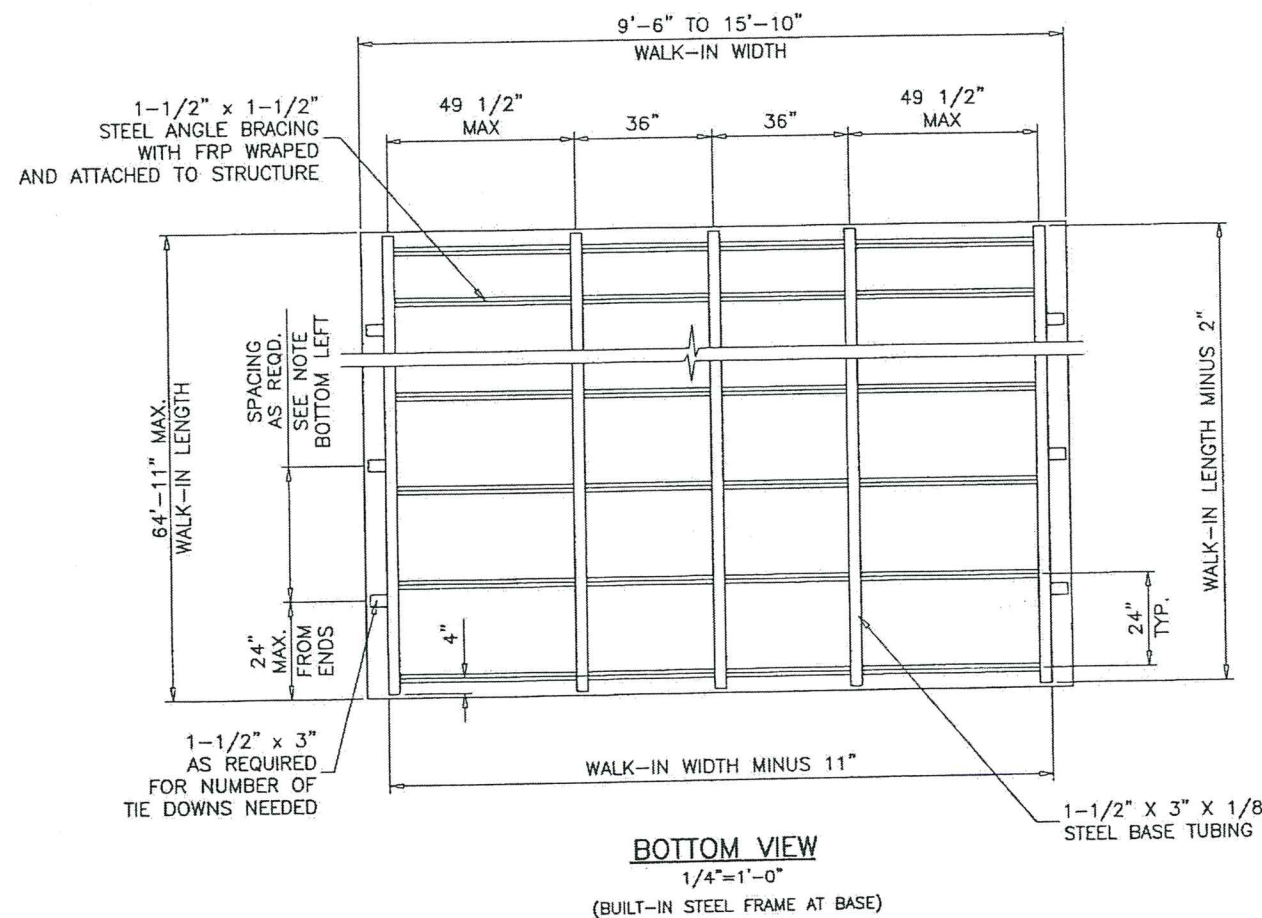
PRODUCT RENEWED
as complying with the Florida Building Code
Acceptance No 21-0914.04
Expiration Date 07/13/2027
By *Helga A. Mahr*
Miami Dept. Product Control

5" THICK WALLS
6-1/2" THICK ROOF

FOR WALK-INS 9'-5" TO 15'-10" WIDE



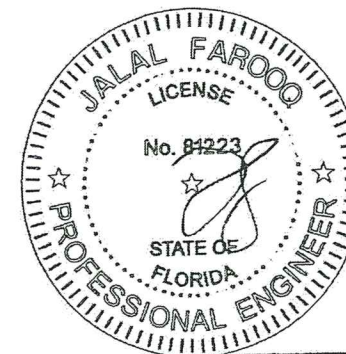
ELEVATION VIEW
1/4" = 1'-0"



BOTTOM VIEW
1/4" = 1'-0"
(BUILT-IN STEEL FRAME AT BASE)

PRODUCT REVISED as complying with the Florida Building Code
Acceptance No 20-1123.16
Expiration Date 07/13/2022
By *Helga A. Mahr*
Miami Dept. Product Control

NOV 17 2020



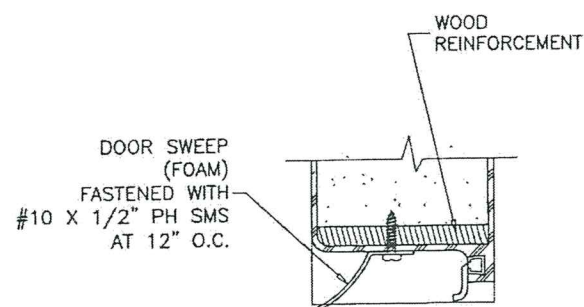
af c
AL-FAROOQ CORPORATION
ENGINEERS & PRODUCT DEVELOPMENT
9360 SUNSET DRIVE, SUITE 220 (C.A.N. 3538)
MIAMI, FLORIDA 33173
TEL. (305) 264-8100 FAX. (305) 262-6978
COOLER\16-08PK

FIBERGLASS WALK-IN COOLER @ FREEZER
Polar King
INTERNATIONAL INC.
4424 New Haven Ave.
Fort Wayne, IN 46803
Ph: (260) 428-2530
Fax: (260) 428-2533

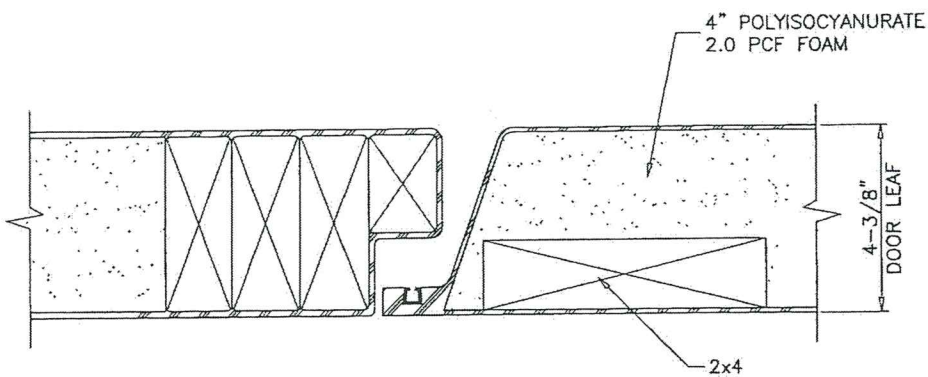
no	date	description
A	06.15.17	REV. PER PER COMMENTS
B	04.26.18	NO CHANGE THIS SHEET
C	11.12.20	UPDATED TO 2020 FBC

date: 10-21-16
scale: -
dr. by: TARIQ
chk. by:

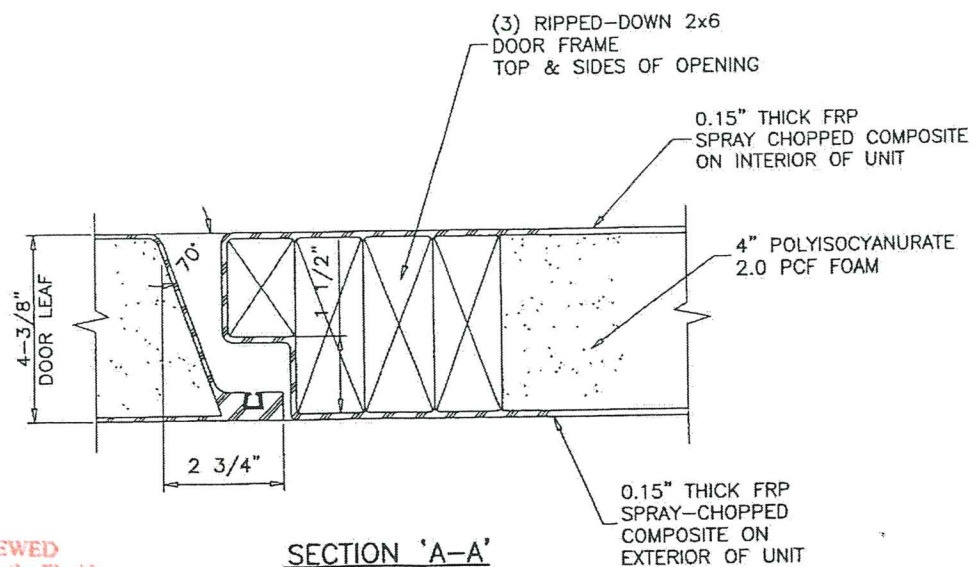
drawing no.
16-08
sheet 3 of 7



SECTION 'C-C'
1/4" = 1"



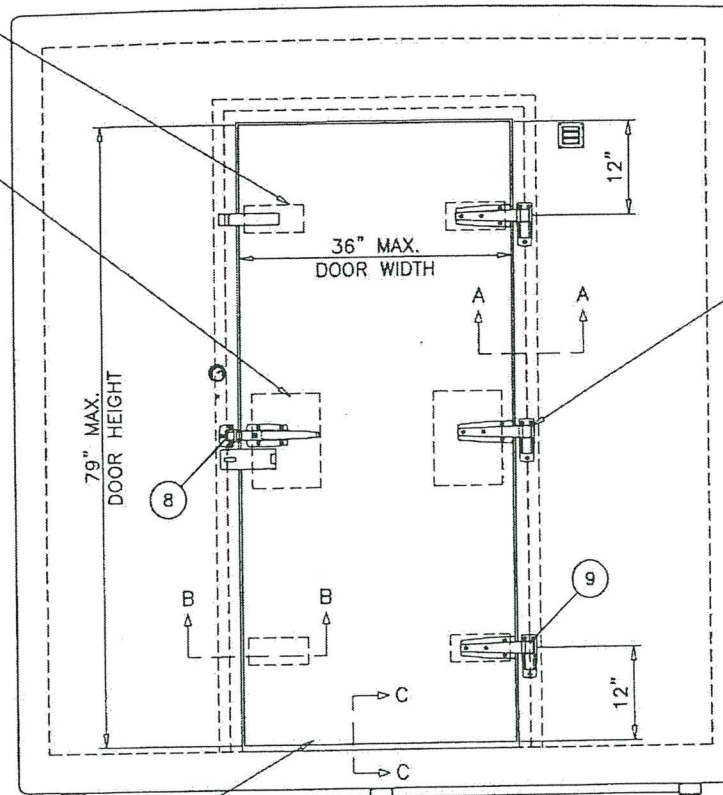
SECTION 'B-B'
1/4" = 1"



SECTION 'A-A'
1/4" = 1"

WOOD 2x4 FOR DOOR HARDWARE (4) PLACES

WOOD 2x10 FOR DOOR HARDWARE (2) PLACES AT MIDSPAN OF THE DOOR



36" DOOR ELEVATION
1/2" = 1'-0"

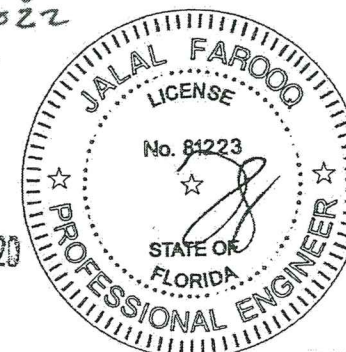
7/16" PLYWOOD FOR BOTTOM SWEEP

HINGE AT MIDSPAN OF DOOR LEAF

PRODUCT RENEWED
as complying with the Florida
Building Code
Acceptance No. 21-0914.04
Expiration Date 07/13/2029
By *Helga A. Mahr*
Miami Data Product Control

PRODUCT REVISED
as complying with the Florida
Building Code
Acceptance No. 20-1123.16
Expiration Date 07/13/2022
By *Helga A. Mahr*
Miami Data Product Control

NOV 17 2020



a f c

AL-FAROOQ CORPORATION
ENGINEERS & PRODUCT DEVELOPMENT
9360 SUNSET DRIVE, SUITE 220
MIAMI, FLORIDA 33173 (C.A.N. 3538)
TEL. (305) 264-8100 FAX. (305) 262-6978

FIBERGLASS WALK-IN COOLER @ FREEZER

Polar King
INTERNATIONAL INC.
4424 New Haven Ave.
Fort Wayne, IN 46803

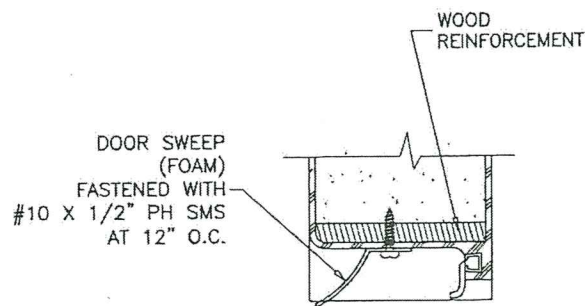
Ph: (260) 428-2530
Fax: (260) 428-2533

no.	date	description
A	06.15.17	REV. PER RER COMMENTS
B	04.26.18	NO CHANGE THIS SHEET
C	11.12.20	UPDATED TO 2020 FBC

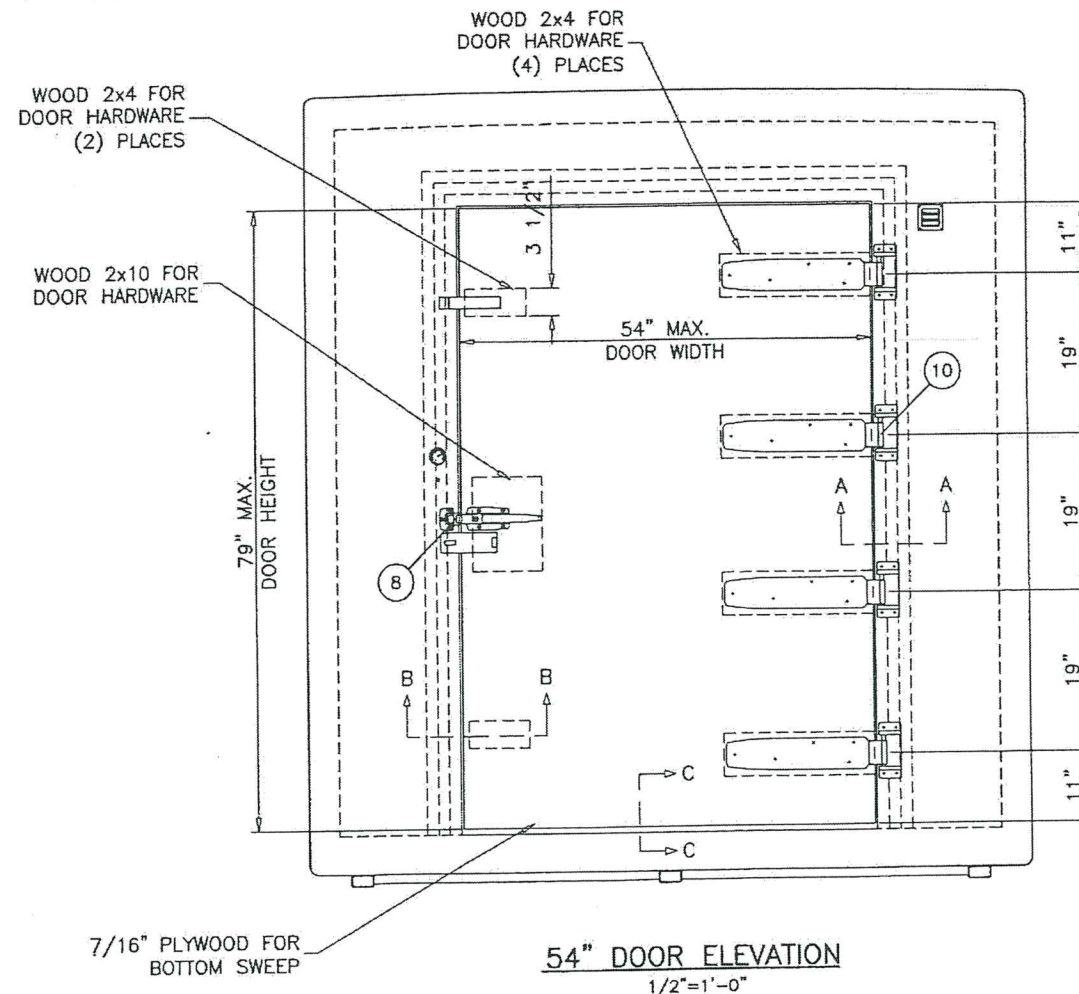
date:	10-21-16
scale:	-
dr. by:	TARIQ
chk. by:	

drawing no.
16-08
sheet 4 of 7

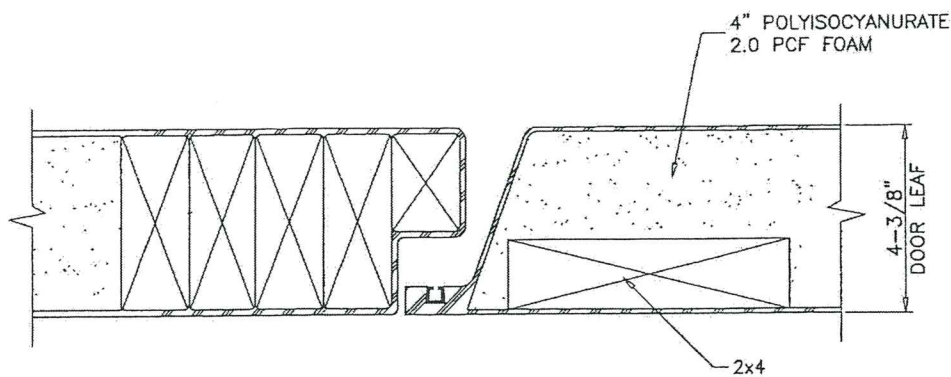
COOLER 16-08PK



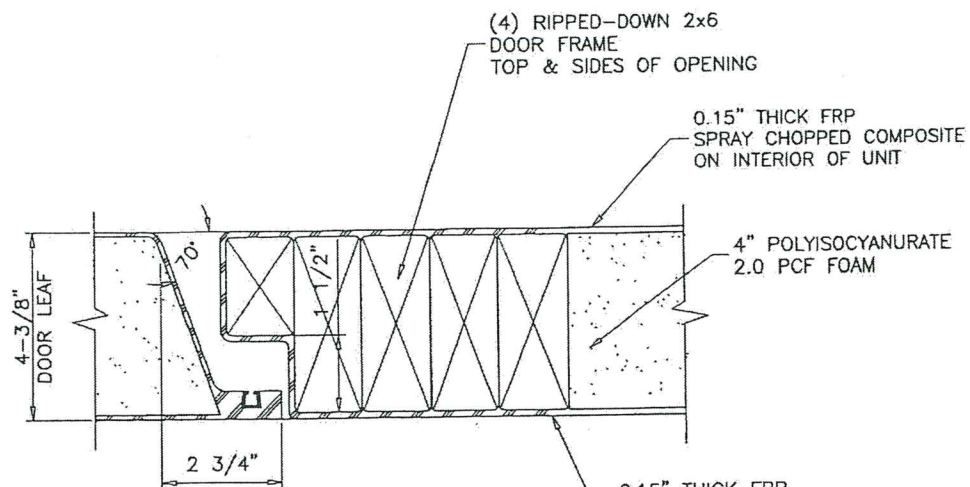
SECTION 'C-C'
1/4" = 1"



54" DOOR ELEVATION
1/2" = 1'-0"



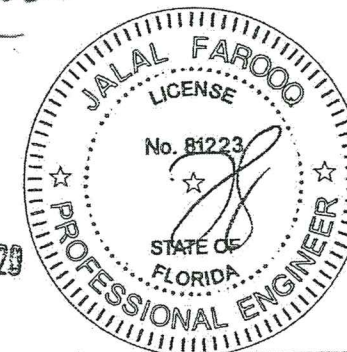
SECTION 'B-B'
1/4" = 1"



SECTION 'A-A'
1/4" = 1"

PRODUCT RENEWED
as complying with the Florida
Building Code
Acceptance No. 21-0914.14
Expiration Date 07/13/2027
By *Hedy A. Mahon*
Miami Data Product Control

PRODUCT REVISED
as complying with the Florida
Building Code
Acceptance No. 20-1123.16
Expiration Date 07/13/2022
By *Hedy A. Mahon*
Miami Data Product Control



NOV 17 2029

af c

AL-FAROOQ CORPORATION
ENGINEERS & PRODUCT DEVELOPMENT
9360 SUNSET DRIVE, SUITE 220 (C.A.N. 3538)
MIAMI, FLORIDA 33173
TEL. (305) 264-8100 FAX. (305) 262-6978
COOLER 16-08PK

FIBERGLASS WALK-IN COOLER @ FREEZER

Polar King
INTERNATIONAL INC.
4424 New Haven Ave.
Fort Wayne, IN 46803
Ph: (260) 428-2530
Fax: (260) 428-2533

no	date	description
A	06.15.17	REV. PER PER COMMENTS
B	04.26.18	NO CHANGE THIS SHEET
C	11.12.20	UPDATED TO 2020 FBC

revisions:

date: 10-21-16
scale: -
dr. by: TARIO
chk. by:

drawing no. 16-08
sheet 5 of 7

ITEM #	PART #	REQD.	DESCRIPTION	MATERIAL	MANF./SUPPLIER/REMARKS
1	-	-	INTERIOR AND EXTERIOR SKIN	FIBERGLASS	SEE SHEET 1
2	-	-	WALK-IN INSULATION	POLYISOCYANURATE	ELFOAM, (SEE SHEET 1)
3	-	-	FLOOR SURFACE COATING	SAND AGGREGATE	28 GRADE
4	-	-	FLOOR BASE	PLYWOOD	1/2" THK.
4A	-	-	DOOR BASE	PLYWOOD	7/16" THK.
5	-	-	DOOR GASKET	-	JEAN'S EXTRUSIONS, PLASTIC WITH MAGNET
6	-	1	DOOR TRIM	ST. STEEL	20 GA.
7	-	1	DOOR BOTTOM SWEEP	FOAM	1/8" RUBBER
7A	#10 X 1/2"	AS REQD.	DOOR SWEEP FASTENERS	ST. STEEL	PH SMS
8	0056	1	DOOR LATCH	ST. STEEL	KASON
8A	1/4 X 1-3/4"	AS REQD.	LATCH FASTENERS	ST. STEEL	MACHINE HEAD SMS
9	1245	3/ LEAF	CAM LIFT HINGE	-	KASON
9A	1/4 X 1-3/4"	AS REQD.	CAM HINGE FASTENERS	ST. STEEL	MACHINE HEAD SMS
10	1277	3/ LEAF	HEAVY DUTY HINGE	-	KASON
10A	1/4 X 1-3/4"	AS REQD.	H.D. HINGE FASTENERS	ST. STEEL	LAG SCREWS
11	VS2000	1	DOOR CLOSER	ST. STEEL	DICTATOR
11A	#10 X 3/4"	AS REQD.	DOOR CLOSER FASTENERS	ST. STEEL	PAN HEAD SMS
12	-	AS REQD.	ANCHOR BAR	CARBON STEEL	A36, Fu MIN. = 56 KSI
12A	5/8" X 4"	1 /BAR	ANCHOR BAR FASTENER	-	GRADE 8 A307 STEEL BOLT/NUT/WASHER
13	-	AS REQD.	SHIM PLATE (5" X 9" X 1/4")	CARBON STEEL	A36, Fu MIN. = 56 KSI
14	-	AS REQD.	BASE FRAME (1-1/2" X 3" X 1/8")	CARBON STEEL	A36, Fu MIN. = 56 KSI
14A	-	AS REQD.	TIE DOWN TUBE (1-1/2" X 3" X 1/8" X 4-1/2" LONG)	CARBON STEEL	A36, Fu MIN. = 56 KSI
15	-	AS REQD.	ANGLE BRACING (1-1/2" X 1-1/2" X 1/8")	CARBON STEEL	A36, Fu MIN. = 56 KSI
16	-	-	2X6 WOOD	-	SOUTHERN PINE, CUT DOWN AS NEEDED
16A	-	-	2X4 WOOD	-	SOUTHERN PINE
16B	-	-	2X10 WOOD	-	SOUTHERN PINE

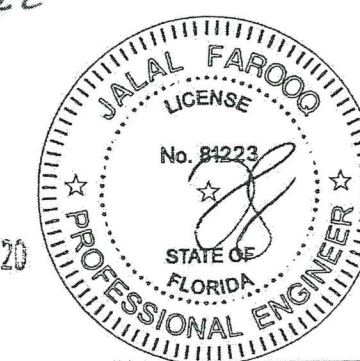
af c
AL-FAROOQ CORPORATION
 ENGINEERS & PRODUCT DEVELOPMENT
 9360 SUNSET DRIVE, SUITE 220 (C.A.N. 3538)
 MIAMI, FLORIDA 33173
 TEL. (305) 264-8100 FAX. (305) 262-6978
 COOLER 16-08PK

FIBERGLASS WALK-IN COOLER @ FREEZER
Polar King
 INTERNATIONAL INC.
 44-24 New Haven Ave.
 Fort Wayne, IN 46803
 Ph: (260) 428-2530
 Fax: (260) 428-2533

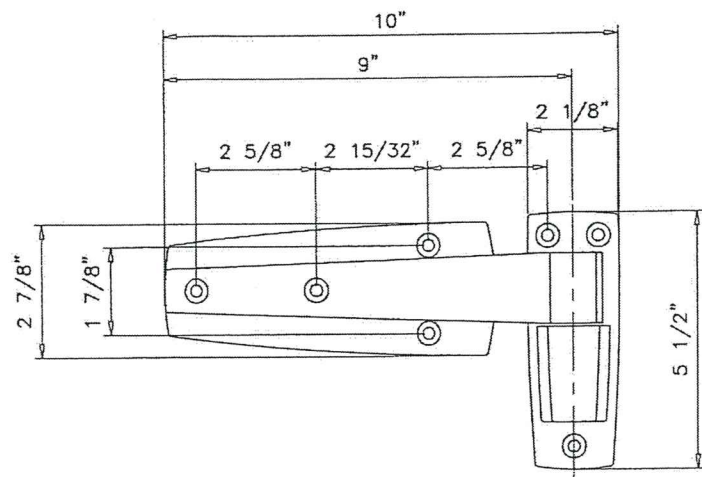
revisions:	no	date	description
	A	06.15.17	NO CHANGE THIS SHEET
	B	04.26.18	NO CHANGE THIS SHEET
	C	11.12.20	UPDATED TO 2020 FBC
date:	10-21-16	scale:	-
dr. by:	TARIQ	chk. by:	
drawing no.	16-08		
sheet	6 of 7		

PRODUCT RENEWED
 as complying with the Florida
 Building Code
 Acceptance No 21-0914.04
 Expiration Date 07/13/2027
 By Heg A. Mohr
 Miami Dade Product Control

PRODUCT REVISED
 as complying with the Florida
 Building Code
 Acceptance No 20-1123.16
 Expiration Date 07/13/2022
 By Heg A. Mohr
 Miami Dade Product Control



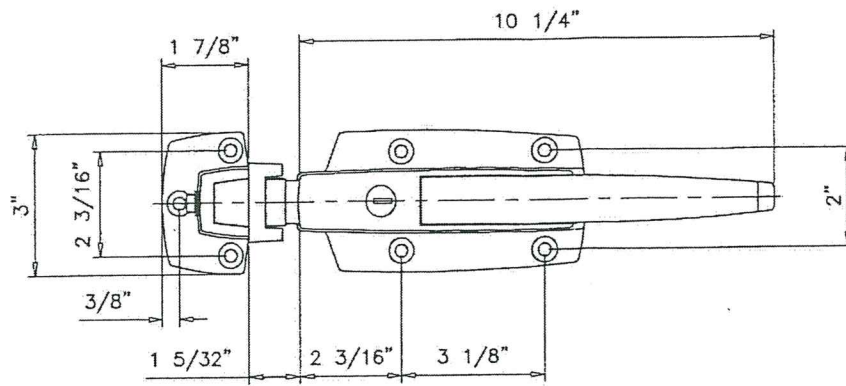
NOV 17 2020



KASON 1245 REVERSIBLE CAM-RISE FLUSH HINGE

POLISHED CHROME POWDER COATED DIE-CAST ZINC
SELF-LUBRICATING NYLON CAM

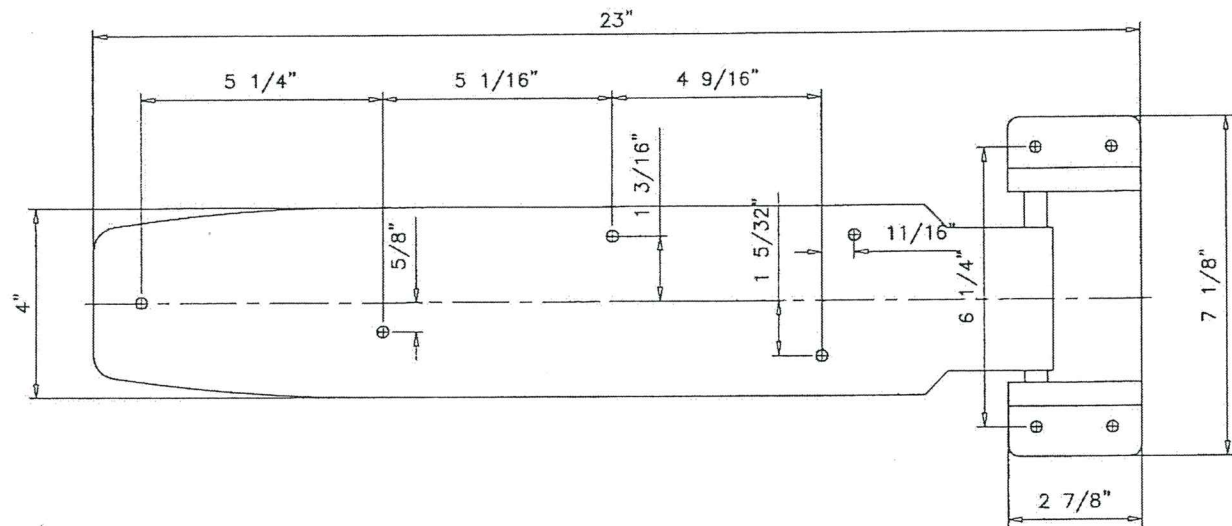
9 HOLES DRILLED AND COUNTERSUNK FOR 1/4" X 2" FH SECURITY SCREWS



KASON 0056 SAFEGUARD LATCH

#316 STAINLESS STEEL BODY AND STRIKE HOUSING
#304 STAINLESS STEEL ROLLER

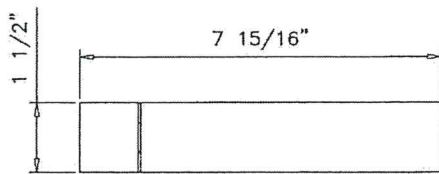
8 HOLES DRILLED AND COUNTERSUNK FOR 1/4" X 2" FLAT HEAD SECURITY SCREWS



KASON 1277 HEAVY DUTY HINGE

POLISHED CHROME POWDER COATED DIE-CAST ZINC
SECURED TO DOOR LEAF WITH 5/16" X 2" HEX HEAD LAG BOLTS
AND SECURED TO PANEL WITH 3/8" X 3" HEX HEAD LAG BOLTS

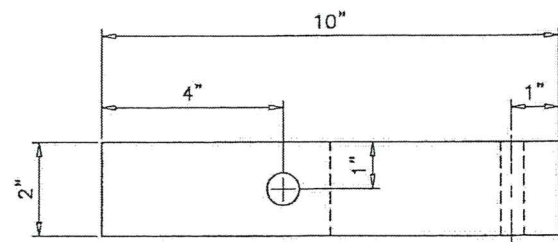
10



DICTATOR VS2000 DOOR CLOSER

STAINLESS STEEL BODY AND STRIKE HOUSING

13



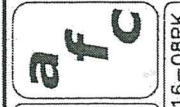
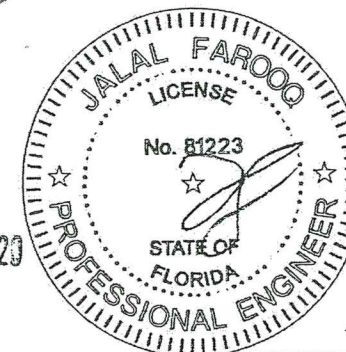
ANCHOR BAR

12

PRODUCT REVISED
as complying with the Florida
Building Code
Acceptance No. 20-1123.16
Expiration Date 07/13/2022
By Hely A. M...
Miami Door Product Control

PRODUCT RENEWED
as complying with the Florida
Building Code
Acceptance No. 21-0914.04
Expiration Date 07/13/2021
By Hely A. M...
Miami Door Product Control

NOV 17 2020



AL-FAROOQ CORPORATION
ENGINEERS & PRODUCT DEVELOPMENT
9360 SUNSET DRIVE, SUITE 220
MIAMI, FLORIDA 33173 (C.A.N. 3538)
TEL. (305) 264-8100 FAX. (305) 262-6978

COOLER 16-08PK

FIBERGLASS WALK-IN COOLER @ FREEZER
Polar King
INTERNATIONAL INC.
4424 New Haven Ave.
Fort Wayne, IN 46803
Ph: (260) 428-2530
Fax: (260) 428-2533

no	date	description
A	06.15.17	REV. PER RER COMMENTS
B	04.26.18	NO CHANGE THIS SHEET
C	11.12.20	UPDATED TO 2020 FBC

date: 10-21-16
scale: 1/4" = 1"
dr. by: TARIQ
chk. by:

drawing no.
16-08

sheet 7 of 7