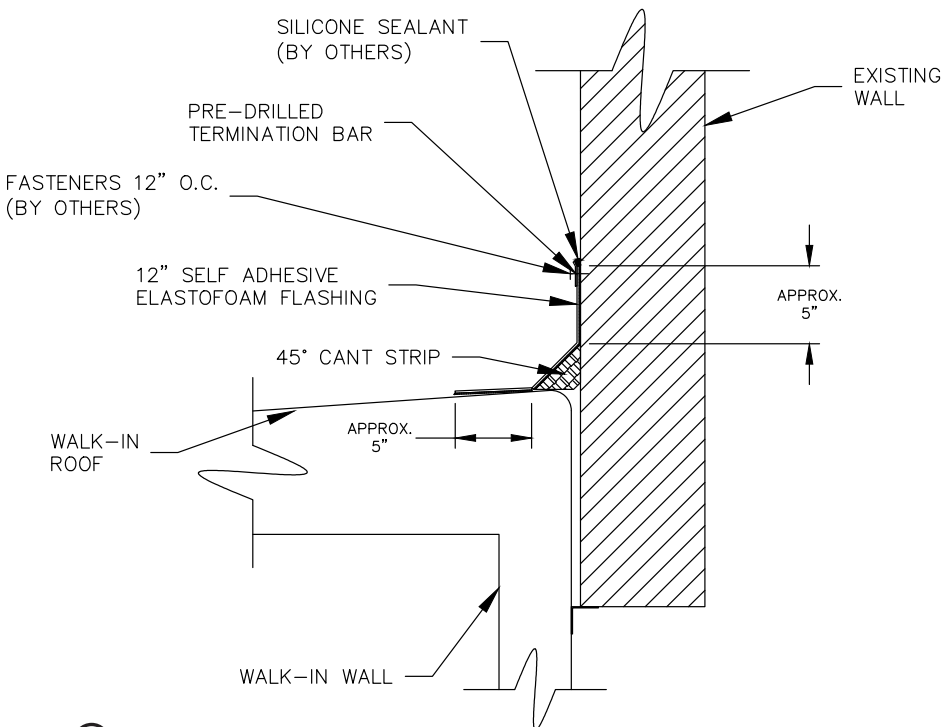


ROOF FLASHING INSTALLATION

1. Read instructions thoroughly before starting. Take inventory of necessary materials. Items provided by Polar King® include:
 - a. 12" Self-adhesive Elastoform flashing. (The adhesive side has a plastic film covering that should be removed prior to installation and the back side is uncovered.)
 - b. 45° cant strip (fillet strip).
 - c. Pre-drilled aluminum termination bar.
2. Additional items needed:
 - a. Mechanical fasteners (screws or other type of fastener) for termination bar.
 - b. Silicone sealant.
3. See Flashing Detail for approximate placement of materials.
4. Using mineral spirits, clean roof of walk-in and adjoining wall to a distance of 12".
5. Place cant strips against building as shown on detail.
6. Place flashing face up onto the cleaned area of the roof and wall, while keeping it centered on the cant strip.
7. Apply pressure to the flashing to be sure that there is a good bond against the roof and the wall.
8. Install supplied termination bar over top edge of Elastoform flashing. Fasten approximately 12" on center. (Fasteners are not included.)
9. Apply bead of silicone sealant (not included) to top of termination bar to finish installation. The completed flashing assembly can be painted if desired.

ROOF FLASHING DETAIL



All diagrams are available in larger format online in our resource center at www.polar king.com

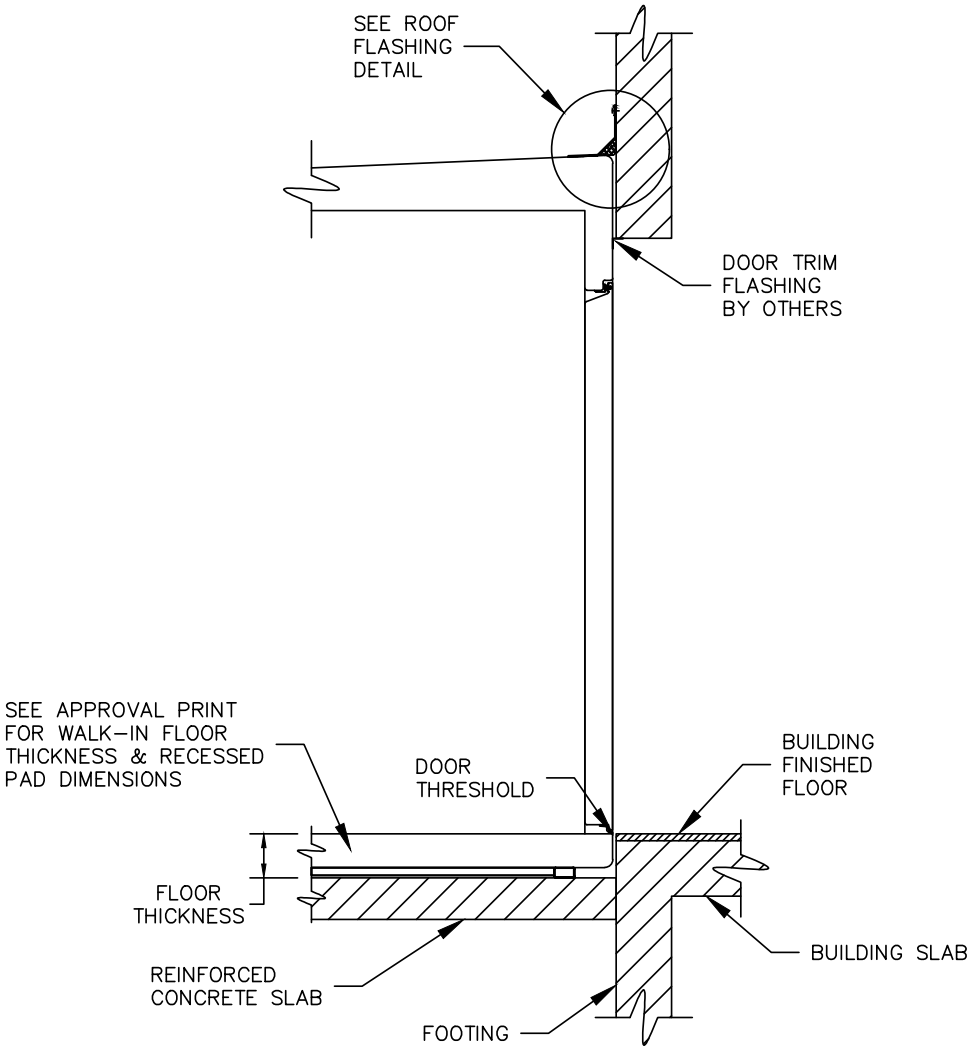
SIDEWALL FLASHING INSTALLATION

1. Read instructions thoroughly before starting. Take inventory of necessary materials. Items provided by Polar King® include:
 - a. PVC flashing (1" x 5" L-shape PVC material).
2. Additional items needed:
 - a. Mechanical fasteners (screws or rivets).
 - b. Construction adhesive.
 - c. Silicone sealant.
3. Align PVC flashing against building and walk-in and trim for proper fit. Flashing may be applied with short leg sticking out or in.
4. Flashing can be attached to walk-in using any heavy-duty construction adhesive.
5. Use sheet metal screws to hold in place until adhesive sets.
6. Apply bead of silicone sealant to finish installation.

PROVIDE A LEVEL SLAB AS REQUIRED BY YOUR LOCAL BUILDING CODE.

NOTE: It is very important that the surface the walk-in will sit on is level and flat for proper drainage and mechanical operation.

THROUGH WALL DETAILS



All diagrams are available in larger format online in our resource center at www.polarking.com