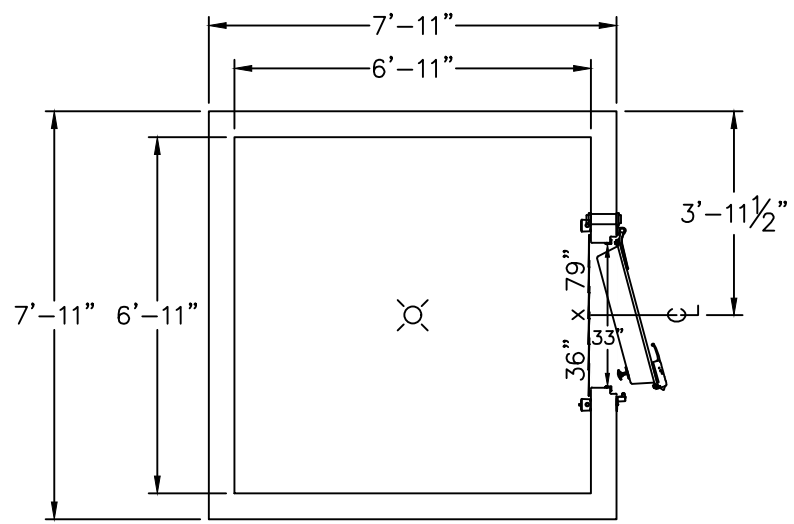


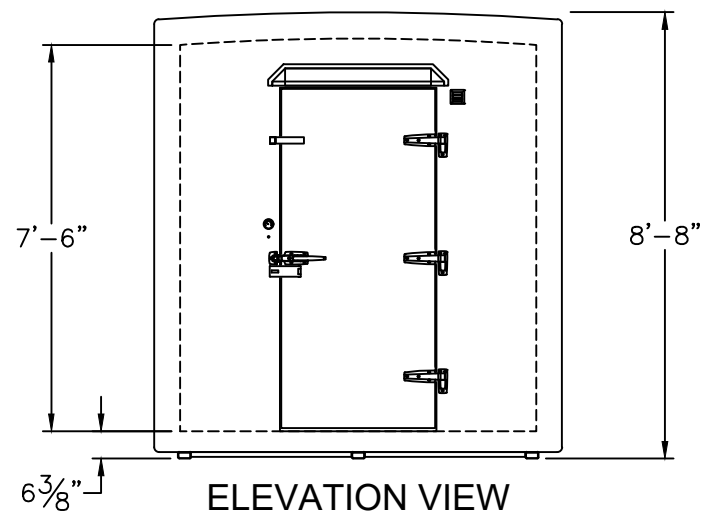
ROOM TEMP.:
Dry
 INTERIOR AREA:
48 sq. ft.
 HORSEPOWER:
—
 REFRIGERANT:
—
 ELEC. SUPPLY
115
 PHASE:
Single
 CYCLE:
60 hz.
 AMPERAGE:
—



PLAN VIEW

SERIAL NUMBER: A9105874

6" WALLS
 6" CROWNED ROOF
 1/2" STANDARD DUTY FLOOR
 STRIP CURTAINS



ELEVATION VIEW

DRAWING APPROVAL

PLEASE INDICATE YOUR APPROVAL OF THIS DESIGN, THE DIMENSIONS, DOOR LOCATION/SWING, ELECTRICAL REQUIREMENTS, AND EQUIPMENT LOCATIONS BY SIGNING BELOW AND RETURNING TO POLAR KING.

DATE: _____ BY: _____

A9105874

DRAWN BY: RLM	MODEL NO.: D88	SCALE: 1/4"=1'-0"	DATE: 2-11-20
------------------	-------------------	----------------------	------------------

DRAWING NAME: A9105874 D88



POLAR KING
 INTERNATIONAL, INC.
 FORT WAYNE, INDIANA 1-800-752-7178

THE REFRIGERATION SYSTEM SHOWN IS DESIGNED TO MAINTAIN INDICATED TEMPERATURE IF PRODUCT ENTERS WITHIN 10°F OF FINAL HOLDING TEMPERATURE. PLEASE CONTACT YOUR SALES REP IF INCOMING PRODUCT WILL BE ENTERING AT HIGHER TEMPERATURES. REFRIGERATION DESIGN IS SUBJECT TO CHANGE FOR IMPROVEMENTS.