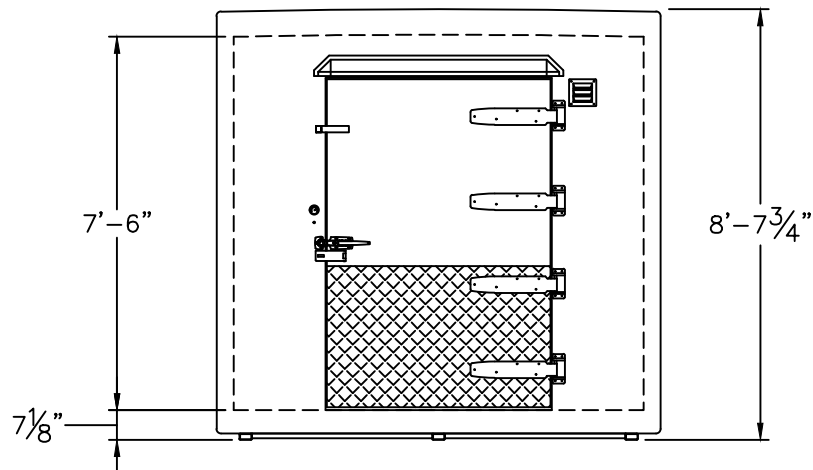


PLAN VIEW

6" ROOF INSULATION  
 PALLET DUTY FLOOR  
 PALLET BUMPER GUARD  
 DIAMOND TREAD KICKPLATES

ROOM TEMP.:  
 Dry  
 INTERIOR AREA:  
 142 sq. ft.  
 INTERIOR VOLUME:  
 1067 cu. ft.  
 HORSEPOWER:  
 -  
 REFRIGERANT:  
 -  
 ELEC. SUPPLY  
 110  
 PHASE:  
 Single  
 CYCLE:  
 60 hz.  
 AMPERAGE:  
 -



ELEVATION VIEW

### DRAWING APPROVAL

PLEASE INDICATE YOUR APPROVAL OF THIS DESIGN, THE DIMENSIONS, DOOR LOCATION/SWING, ELECTRICAL REQUIREMENTS AND EQUIPMENT LOCATIONS BY SIGNING BELOW AND RETURNING TO POLAR KING.

DATE:	BY:
-------	-----

A9035737

DRAWN BY: MD Leppek	MODEL NO.: *918	SCALE: 1/4"=1'-0"	DATE: 5/11/22
------------------------	--------------------	----------------------	------------------

DRAWING NAME: \_\_\_\_\_



THE REFRIGERATION SYSTEM SHOWN IS DESIGNED TO MAINTAIN INDICATED TEMPERATURE IF PRODUCT ENTERS WITHIN 10°F OF FINAL HOLDING TEMPERATURE. PLEASE CONTACT YOUR SALES REP IF INCOMING PRODUCT WILL BE ENTERING AT HIGHER TEMPERATURES.