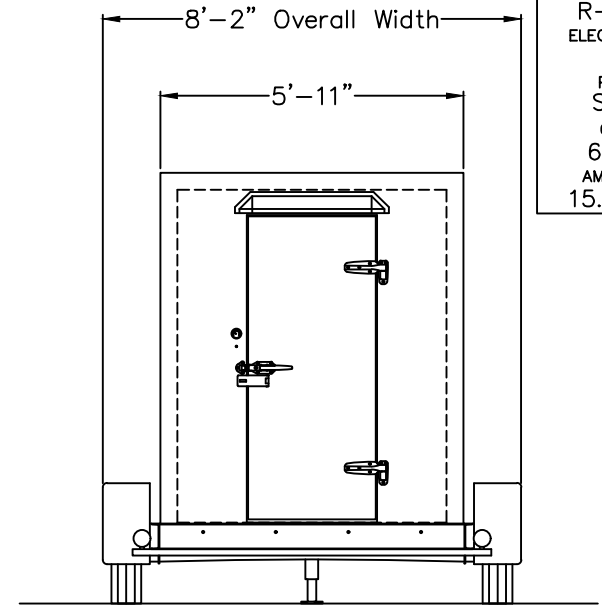
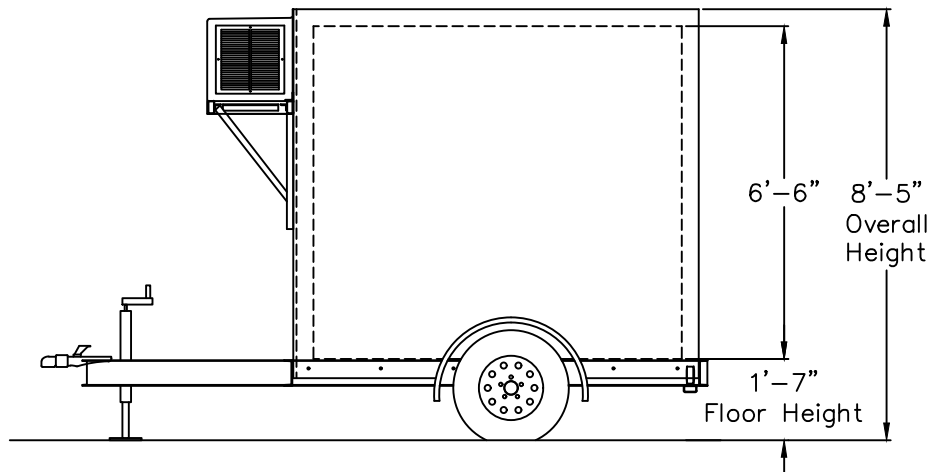


INSIDE DIMENSIONS:
 5'-3" WIDE
 7'-3" LONG
 6'-6" HIGH

AREA = 38 SQ. FT.
 VOLUME = 247 CU. FT.



ROOM TEMP.:
 0°F
 INTERIOR AREA:
 38 sq. ft.
 HORSEPOWER:
 3/4 hp.
 REFRIGERANT:
 R-404A
 ELEC. SUPPLY
 110
 PHASE:
 Single
 CYCLE:
 60 hz.
 AMPERAGE:
 15.6 MCA

DRAWING APPROVAL

PLEASE INDICATE YOUR APPROVAL OF THIS DESIGN, THE DIMENSIONS, DOOR LOCATION/SWING, ELECTRICAL REQUIREMENTS, AND EQUIPMENT LOCATIONS BY SIGNING BELOW AND RETURNING TO POLAR KING.

DATE:

BY:

Polar Leasing A7014941

DRAWN BY:

RLM

MODEL NO.:

M68T

SCALE:

1/4" = 1'-0"

DATE:

11-14-18

DRAWING NAME:

Polar Leasing M68T



POLAR KING
 INTERNATIONAL, INC.

FORT WAYNE, INDIANA 1-800-752-7178

THE REFRIGERATION SYSTEM SHOWN IS DESIGNED TO MAINTAIN INDICATED TEMPERATURE IF PRODUCT ENTERS WITHIN 10°F OF FINAL HOLDING TEMPERATURE. PLEASE CONTACT YOUR SALES REP IF INCOMING PRODUCT WILL BE ENTERING AT HIGHER TEMPERATURES. REFRIGERATION DESIGN IS SUBJECT TO CHANGE FOR IMPROVEMENTS.