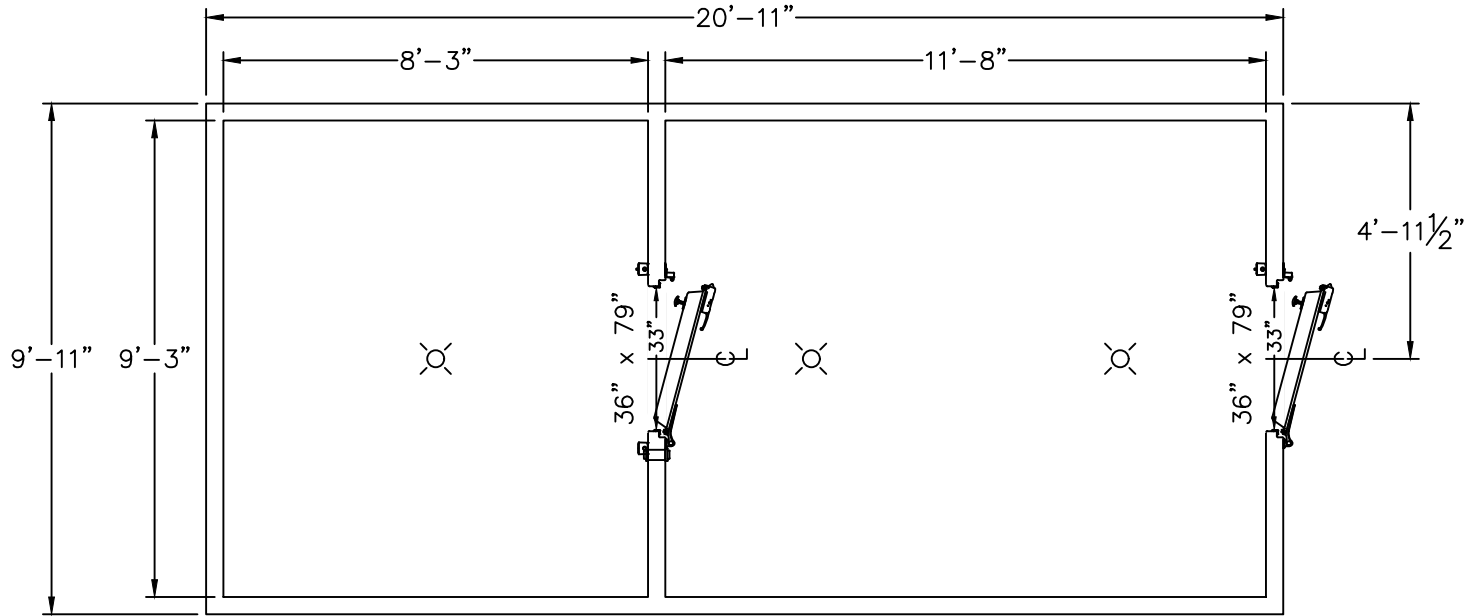


ROOM TEMP.:
Dry
INTERIOR AREA:
76 sq. ft.
HORSEPOWER:
—
REFRIGERANT:
—
ELEC. SUPPLY
115
PHASE:
Single
CYCLE:
60 hz.
AMPERAGE:
—

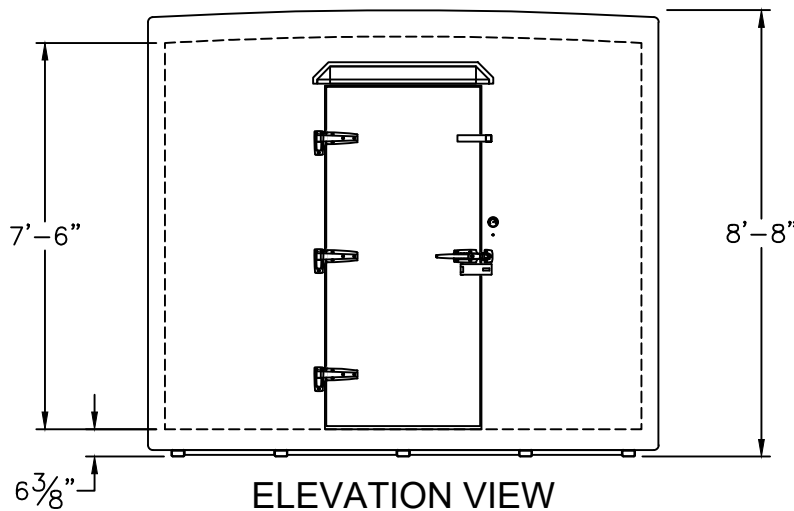


ROOM TEMP.:
Dry
INTERIOR AREA:
108 sq. ft.
HORSEPOWER:
—
REFRIGERANT:
—
ELEC. SUPPLY
115
PHASE:
Single
CYCLE:
60 hz.
AMPERAGE:
—

PLAN VIEW

SERIAL NUMBER: A6094842

4" WALLS
4" CROWNED ROOF
1/2" STANDARD DUTY FLOOR
(2) SPRING HINGES



ELEVATION VIEW

DRAWING APPROVAL

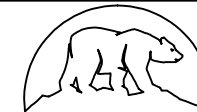
PLEASE INDICATE YOUR APPROVAL OF THIS DESIGN, THE DIMENSIONS, DOOR LOCATION/SWING, ELECTRICAL REQUIREMENTS, AND EQUIPMENT LOCATIONS BY SIGNING BELOW AND RETURNING TO POLAR KING.

DATE: _____ BY: _____

A6094842

DRAWN BY: RLM	MODEL NO.: DD1021	SCALE: 1/4"=1'-0"	DATE: 2-11-20
------------------	----------------------	----------------------	------------------

DRAWING NAME: A6094842 DD1021



POLAR KING
INTERNATIONAL, INC.

FORT WAYNE, INDIANA 1-800-752-7178

THE REFRIGERATION SYSTEM SHOWN IS DESIGNED TO MAINTAIN INDICATED TEMPERATURE IF PRODUCT ENTERS WITHIN 10°F OF FINAL HOLDING TEMPERATURE. PLEASE CONTACT YOUR SALES REP IF INCOMING PRODUCT WILL BE ENTERING AT HIGHER TEMPERATURES. REFRIGERATION DESIGN IS SUBJECT TO CHANGE FOR IMPROVEMENTS.