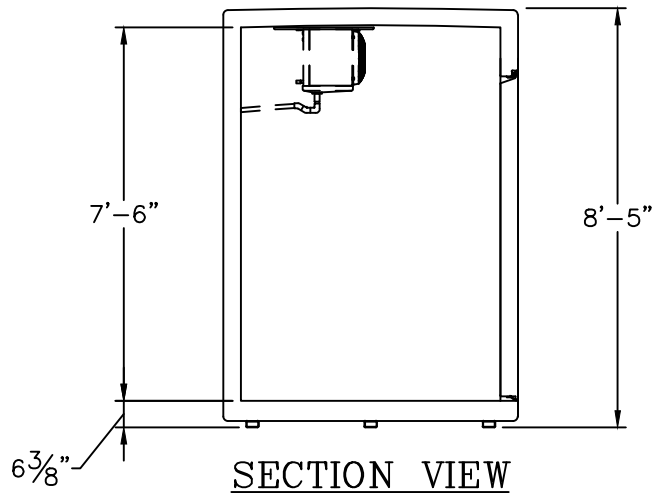


PLAN VIEW

DIAMOND TREAD KICK PLATES



SECTION VIEW

A5064415			
-			
DRAWN BY: MD Leppek	MODEL NO.: *615	SCALE: 1/4"=1'-0"	DATE: 5/11/22
DRAWING NAME:			

THE REFRIGERATION SYSTEM SHOWN IS DESIGNED TO MAINTAIN INDICATED TEMPERATURE IF PRODUCT ENTERS WITHIN 10°F OF FINAL HOLDING TEMPERATURE. PLEASE CONTACT YOUR SALES REP IF INCOMING PRODUCT WILL BE ENTERING AT HIGHER TEMPERATURES.

