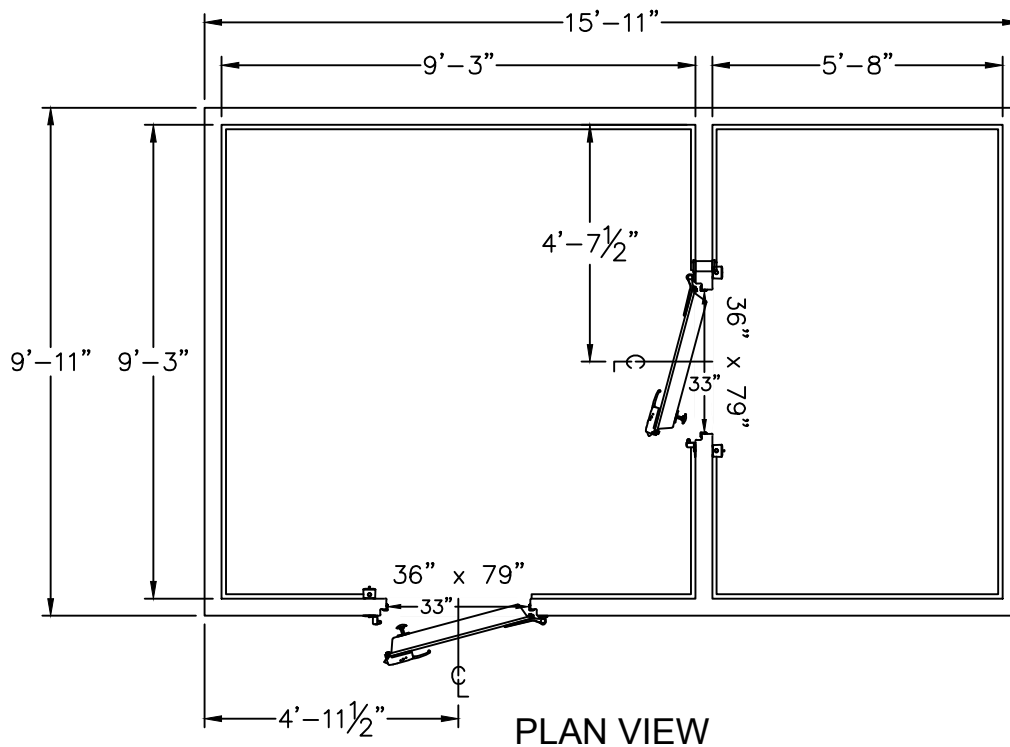


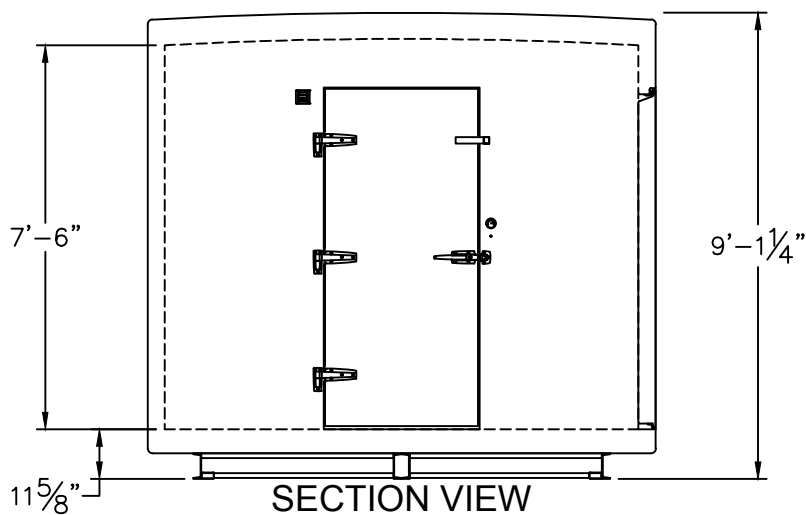
ROOM TEMP.:
Dry
 INTERIOR AREA:
86 sq. ft.
 HORSEPOWER:
—
 REFRIGERANT:
—
 ELEC. SUPPLY
115
 PHASE:
Single
 CYCLE:
60 hz.
 AMPERAGE:
—

ROOM TEMP.:
Dry
 INTERIOR AREA:
52 sq. ft.
 HORSEPOWER:
—
 REFRIGERANT:
—
 ELEC. SUPPLY
115
 PHASE:
Single
 CYCLE:
60 hz.
 AMPERAGE:
—



Serial No.: A3103797

- 4" WALLS
- 4" CROWNED ROOF
- 1 1/4" PALLET JACK DUTY FLOOR
- 6" C-CHANNEL FRAME
- PALLET BUMPER GUARD



DRAWING APPROVAL

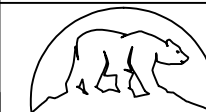
PLEASE INDICATE YOUR APPROVAL OF THIS DESIGN, THE DIMENSIONS, DOOR LOCATION/SWING, ELECTRICAL REQUIREMENTS, AND EQUIPMENT LOCATIONS BY SIGNING BELOW AND RETURNING TO POLAR KING.

DATE: _____ BY: _____

Polar King A3103797

DRAWN BY: RLM	MODEL NO.: DD1016	SCALE: 1/4"=1'-0"	DATE: 11-1-18
------------------	----------------------	----------------------	------------------

DRAWING NAME: Polar King DD1016



POLAR KING
INTERNATIONAL, INC.

FORT WAYNE, INDIANA 1-800-752-7178

THE REFRIGERATION SYSTEM SHOWN IS DESIGNED TO MAINTAIN INDICATED TEMPERATURE IF PRODUCT ENTERS WITHIN 10°F OF FINAL HOLDING TEMPERATURE. PLEASE CONTACT YOUR SALES REP IF INCOMING PRODUCT WILL BE ENTERING AT HIGHER TEMPERATURES. REFRIGERATION DESIGN IS SUBJECT TO CHANGE FOR IMPROVEMENTS.