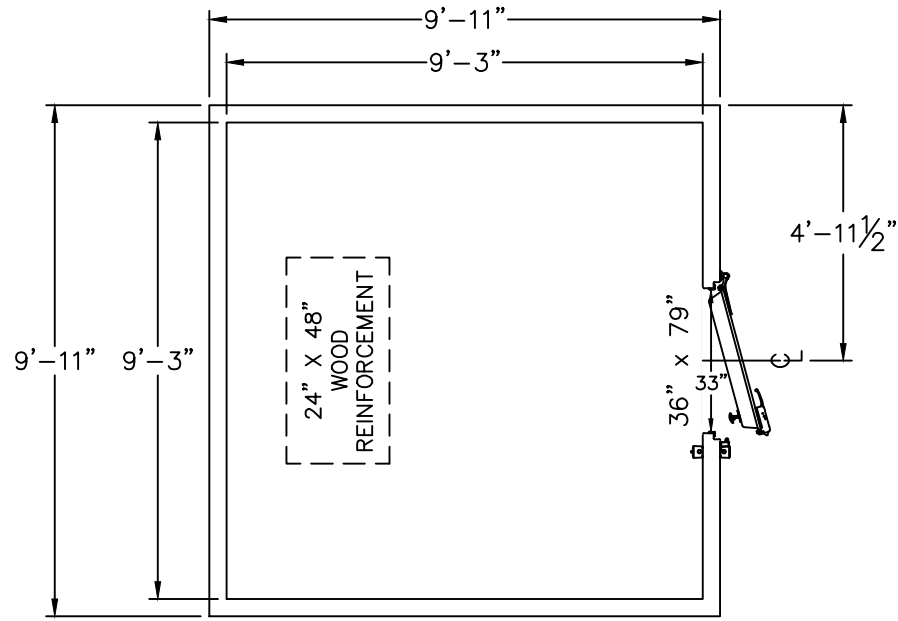
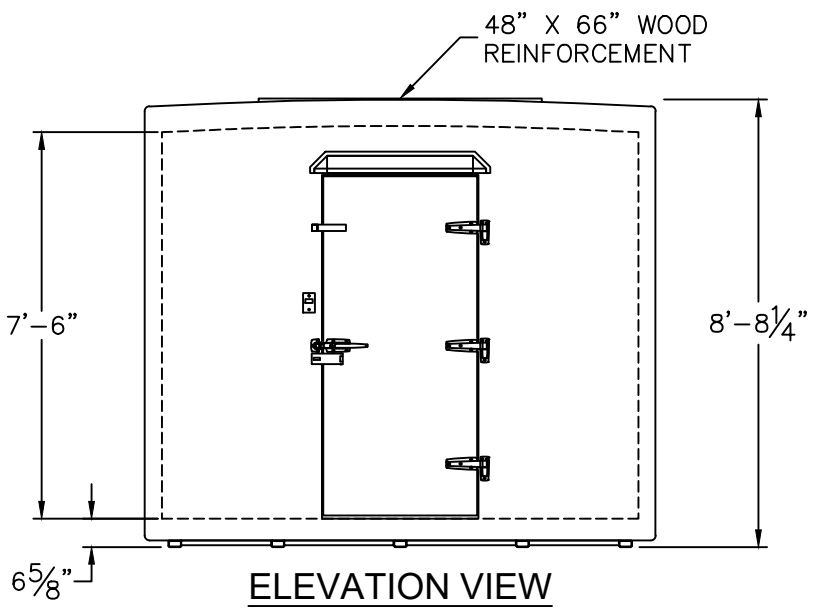


ROOM TEMP.:
Dry
 INTERIOR AREA:
83 sq. ft.
 HORSEPOWER:
—
 REFRIGERANT:
—
 ELEC. SUPPLY
115
 PHASE:
Single
 CYCLE:
60 hz.
 AMPERAGE:
MCA



PLAN VIEW

4" WALLS
 6" CROWNED ROOF
 3/4" KEG DUTY FLOOR
 WOOD REINFORCEMENT FOR REFRIGERATION



ELEVATION VIEW

DRAWING APPROVAL	
PLEASE INDICATE YOUR APPROVAL OF THIS DESIGN, THE DIMENSIONS, DOOR LOCATION/SWING, ELECTRICAL REQUIREMENTS, AND EQUIPMENT LOCATIONS BY SIGNING BELOW AND RETURNING TO POLAR KING.	
DATE:	BY:

Polar King			
Fort Wayne, Indiana			
DRAWN BY: RLM	MODEL NO.: D1010	SCALE: 69/256" = 1"	DATE: 8/24/22
DRAWING NAME: Polar King D1010 Fort Wayne IN			



THE REFRIGERATION SYSTEM SHOWN IS DESIGNED TO MAINTAIN INDICATED TEMPERATURE IF PRODUCT ENTERS WITHIN 10°F OF FINAL HOLDING TEMPERATURE. PLEASE CONTACT YOUR SALES REP IF INCOMING PRODUCT WILL BE ENTERING AT HIGHER TEMPERATURES. REFRIGERATION DESIGN IS SUBJECT TO CHANGE FOR IMPROVEMENTS. ALL DIMENSIONS ARE NOMINAL. FINAL DIMENSIONS WILL BE ±1 INCH OF DRAWING DIMENSIONS. CONTACT YOUR SALES REP IF TIGHTER TOLERANCES ARE REQUIRED.