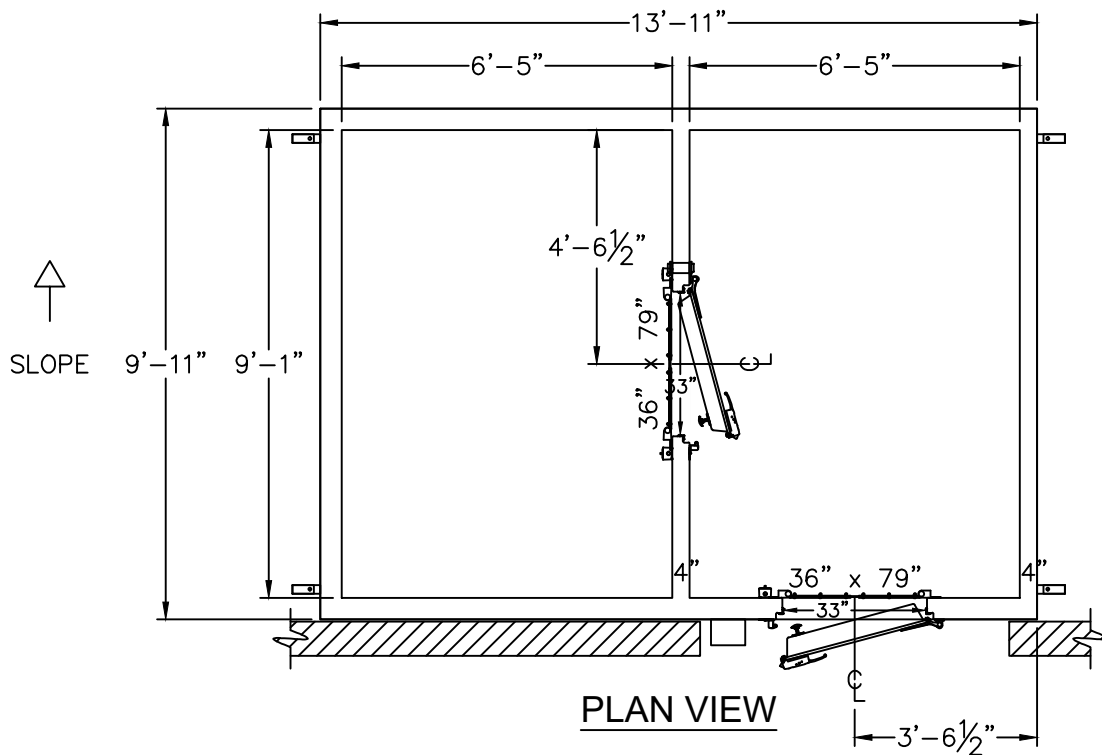


ROOM TEMP.:
-10°F
INTERIOR AREA:
58 sq. ft.
HORSEPOWER:
-
REFRIGERANT:
-
ELEC. SUPPLY
115
PHASE:
Single
CYCLE:
60 hz.
AMPERAGE:
1.0 MCA

ROOM TEMP.:
35°F
INTERIOR AREA:
58 sq. ft.
HORSEPOWER:
-
REFRIGERANT:
-
ELEC. SUPPLY
115
PHASE:
Single
CYCLE:
60 hz.
AMPERAGE:
1.0 MCA

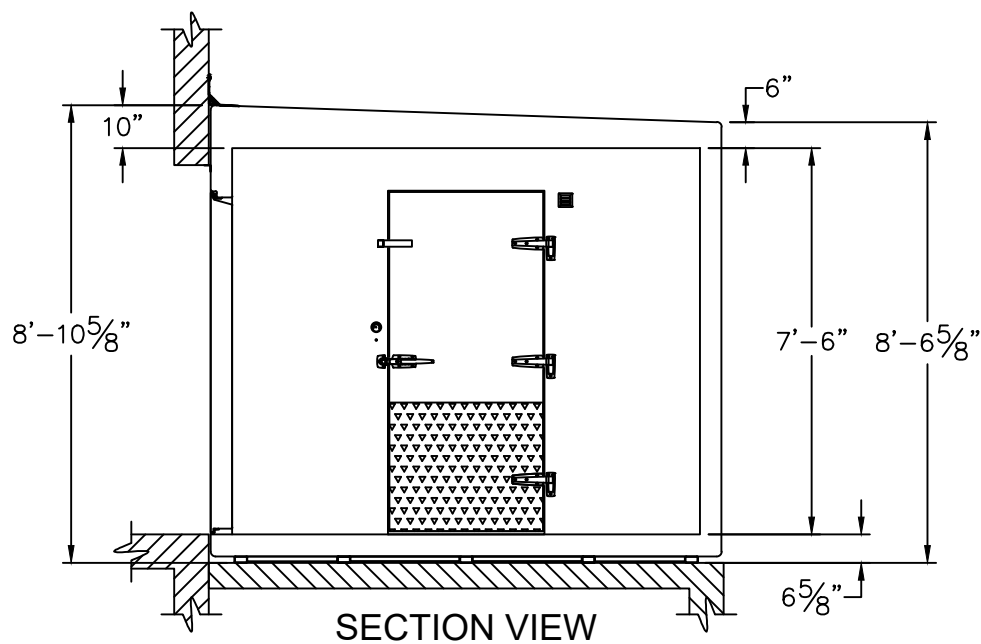


PLAN VIEW

SERIAL NUMBER:
A20069674

- 5" WALLS / 4" NOTED
- 6" SLOPED ROOF
- 3/4" KEG DUTY FLOOR
- GALVANIZED FRAME
- (2) SWING DOORS
- (2) SPRING HINGES
- (2) KICK PLATES
- (4) ANCHORS

- DIGITAL THERMOMETER
- COMPOSITE DOOR FRAMES
- NO ROOF PENETRATIONS
- PVC CONDUIT - UV PROTECTED
- STA-KOOL ELASTOMERIC ROOF PAINT
- ROOF & CEILING REINFORCEMENT -
- CUSTOMER WILL INSTALL OWN REFRIGERATION
- WALL REINFORCEMENT ON (3) WALLS -
- CUSTOM EXTERIOR FINISH



SECTION VIEW

DRAWING APPROVAL

PLEASE INDICATE YOUR APPROVAL OF THIS DESIGN, THE DIMENSIONS, DOOR LOCATION/SWING, ELECTRICAL REQUIREMENTS, AND EQUIPMENT LOCATIONS BY SIGNING BELOW AND RETURNING TO POLAR KING.

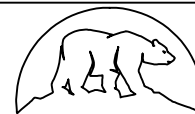
DATE: _____ BY: _____

Polar King

Fort Wayne, Indiana

DRAWN BY: RLM	MODEL NO.: DD1014	SCALE: 1/4"=1'-0"	DATE: 7-29-20
------------------	----------------------	----------------------	------------------

DRAWING NAME: Polar King DD1014 Fort Wayne IN



POLAR KING
INTERNATIONAL, INC.

FORT WAYNE, INDIANA 1-800-752-7178

THE REFRIGERATION SYSTEM SHOWN IS DESIGNED TO MAINTAIN INDICATED TEMPERATURE IF PRODUCT ENTERS WITHIN 10°F OF FINAL HOLDING TEMPERATURE. PLEASE CONTACT YOUR SALES REP IF INCOMING PRODUCT WILL BE ENTERING AT HIGHER TEMPERATURES. REFRIGERATION DESIGN IS SUBJECT TO CHANGE FOR IMPROVEMENTS.