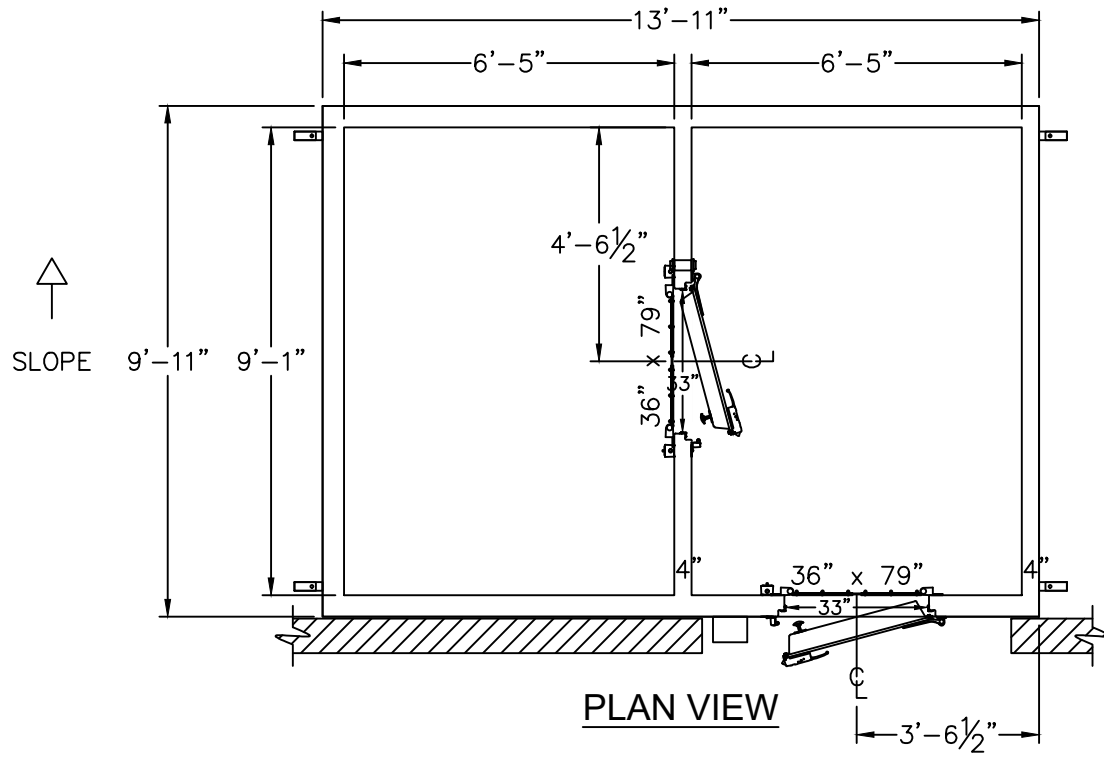


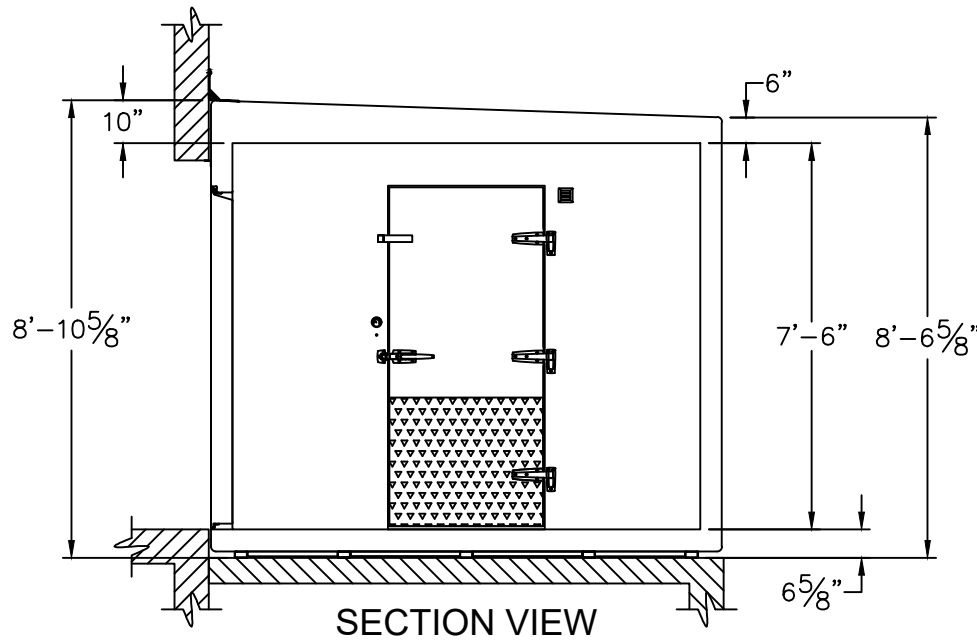
ROOM TEMP.:  
-10°F  
INTERIOR AREA:  
58 sq. ft.  
HORSEPOWER:  
-  
REFRIGERANT:  
-  
ELEC. SUPPLY  
115  
PHASE:  
Single  
CYCLE:  
60 hz.  
AMPERAGE:  
1.0 MCA

ROOM TEMP.:  
35°F  
INTERIOR AREA:  
58 sq. ft.  
HORSEPOWER:  
-  
REFRIGERANT:  
-  
ELEC. SUPPLY  
115  
PHASE:  
Single  
CYCLE:  
60 hz.  
AMPERAGE:  
1.0 MCA



SERIAL NUMBER:  
A20069674

- 5" WALLS / 4" NOTED
- 6" SLOPED ROOF
- 3/4" KEG DUTY FLOOR
- GALVANIZED FRAME
- (2) SWING DOORS
- (2) SPRING HINGES
- (2) KICK PLATES
- (4) ANCHORS
- DIGITAL THERMOMETER



## DRAWING APPROVAL

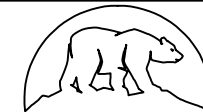
PLEASE INDICATE YOUR APPROVAL OF THIS DESIGN, THE DIMENSIONS, DOOR LOCATION/SWING, ELECTRICAL REQUIREMENTS, AND EQUIPMENT LOCATIONS BY SIGNING BELOW AND RETURNING TO POLAR KING.

DATE: \_\_\_\_\_ BY: \_\_\_\_\_

A20069674

|                  |                      |                      |                  |
|------------------|----------------------|----------------------|------------------|
| DRAWN BY:<br>RLM | MODEL NO.:<br>DD1014 | SCALE:<br>1/4"=1'-0" | DATE:<br>5/11/22 |
|------------------|----------------------|----------------------|------------------|

DRAWING NAME: \_\_\_\_\_



**POLAR KING**  
INTERNATIONAL, INC.

FORT WAYNE, INDIANA 1-800-752-7178

THE REFRIGERATION SYSTEM SHOWN IS DESIGNED TO MAINTAIN INDICATED TEMPERATURE IF PRODUCT ENTERS WITHIN 10°F OF FINAL HOLDING TEMPERATURE. PLEASE CONTACT YOUR SALES REP IF INCOMING PRODUCT WILL BE ENTERING AT HIGHER TEMPERATURES. REFRIGERATION DESIGN IS SUBJECT TO CHANGE FOR IMPROVEMENTS.