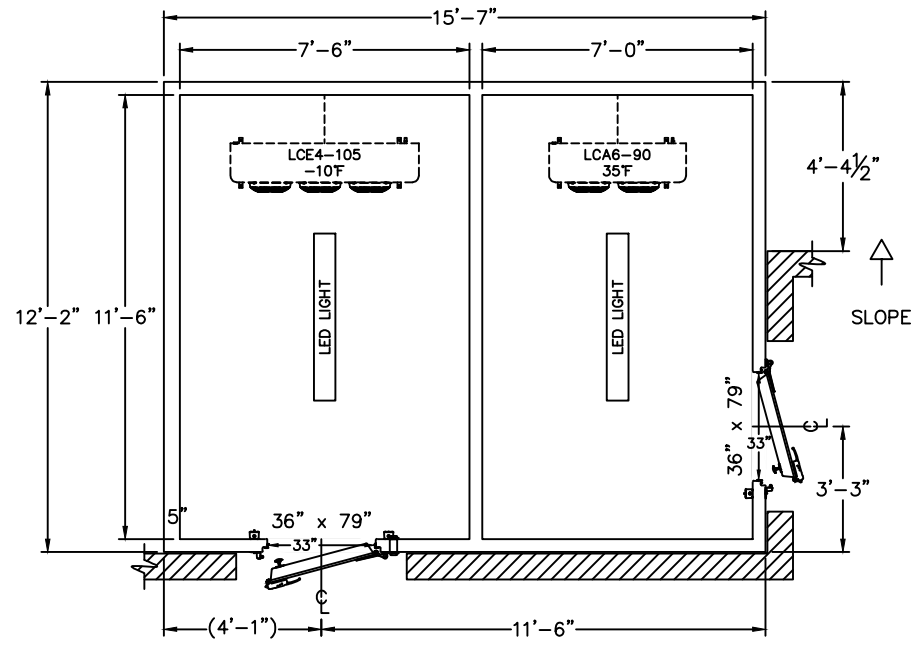


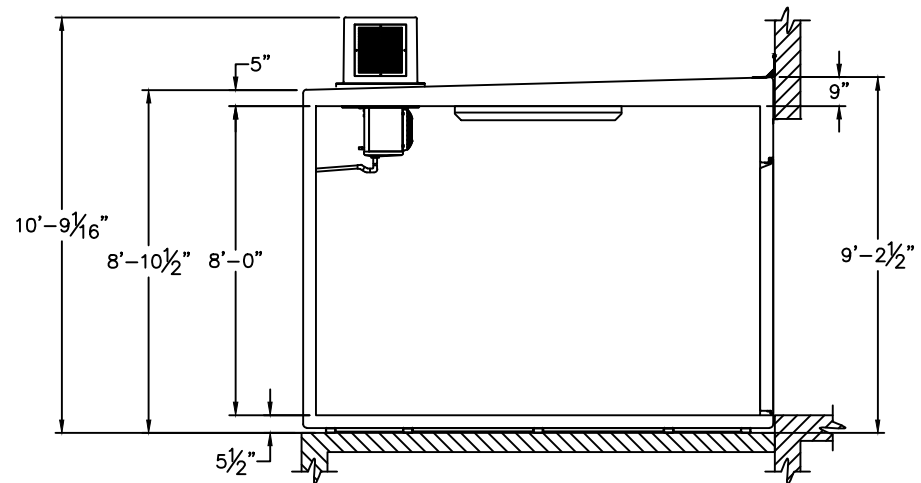
ROOM TEMP.:
-10°F
INTERIOR AREA:
86 sq. ft.
HORSEPOWER:
2 hp.
REFRIGERANT:
R-404A
ELEC. SUPPLY
115/208-230
PHASE:
Three
CYCLE:
60 hz.
AMPERAGE:
17.4 MCA

ROOM TEMP.:
35°F
INTERIOR AREA:
81 sq. ft.
HORSEPOWER:
1 hp.
REFRIGERANT:
R-404A
ELEC. SUPPLY
115/208-230
PHASE:
Three
CYCLE:
60 hz.
AMPERAGE:
10.8 MCA



PLAN VIEW

- 4" WALLS / 5" NOTED
- 5" SLOPED ROOF
- 1/2" STANDARD DUTY FLOOR
- CUSTOM FLOOR HEIGHT : 5 1/2"
- (2) SPRING HINGES
- LED LIGHTING
- ROOF & SIDEWALL FLASHING
- BASE SKIRTING
- LARKIN COILS
- (2) QUICK RESPONSE CONTROLLERS



SECTION VIEW

DRAWING APPROVAL

PLEASE INDICATE YOUR APPROVAL OF THIS DESIGN, THE DIMENSIONS, DOOR LOCATION/SWING, ELECTRICAL REQUIREMENTS, AND EQUIPMENT LOCATIONS BY SIGNING BELOW AND RETURNING TO POLAR KING.

DATE: _____ BY: _____

A19069091

DRAWN BY: MJR/RLM	MODEL NO.: HL1216	SCALE: 3/16"=1'-0"	DATE: 5/11/22
----------------------	----------------------	-----------------------	------------------

DRAWING NAME: _____



POLAR KING
INTERNATIONAL, INC.
FORT WAYNE, INDIANA 1-800-752-7178

THE REFRIGERATION SYSTEM SHOWN IS DESIGNED TO MAINTAIN INDICATED TEMPERATURE IF PRODUCT ENTERS WITHIN 10°F OF FINAL HOLDING TEMPERATURE. PLEASE CONTACT YOUR SALES REP IF INCOMING PRODUCT WILL BE ENTERING AT HIGHER TEMPERATURES. REFRIGERATION DESIGN IS SUBJECT TO CHANGE FOR IMPROVEMENTS.