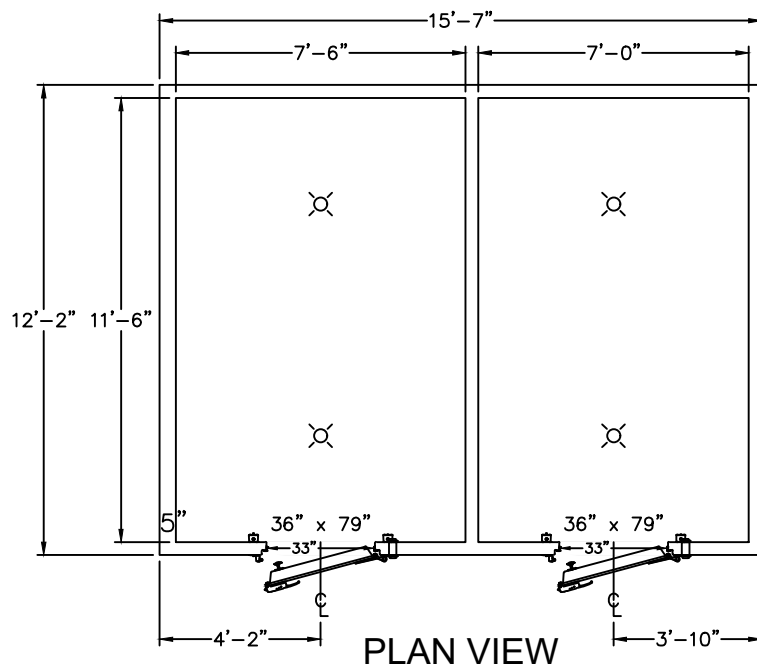


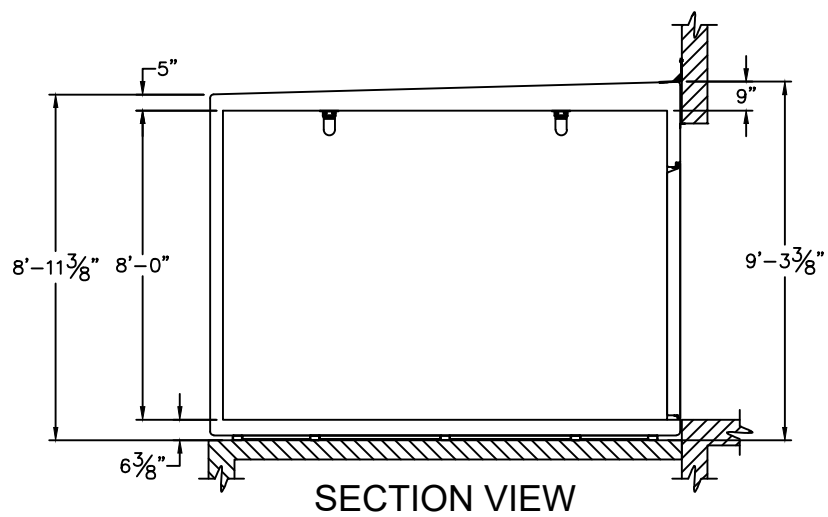
ROOM TEMP.:
Dry
INTERIOR AREA:
86 sq. ft.
HORSEPOWER:
—
REFRIGERANT:
—
ELEC. SUPPLY
115
PHASE:
Single
CYCLE:
60 hz.
AMPERAGE:
—

ROOM TEMP.:
Dry
INTERIOR AREA:
81 sq. ft.
HORSEPOWER:
—
REFRIGERANT:
—
ELEC. SUPPLY
115
PHASE:
Single
CYCLE:
60 hz.
AMPERAGE:
—



SERIAL NUMBER: A19028958

4" WALLS / 5" NOTED
5" SLOPED ROOF
1/2" STANDARD DUTY FLOOR
(2) SPRING HINGES



DRAWING APPROVAL

PLEASE INDICATE YOUR APPROVAL OF THIS DESIGN, THE DIMENSIONS, DOOR LOCATION/SWING, ELECTRICAL REQUIREMENTS, AND EQUIPMENT LOCATIONS BY SIGNING BELOW AND RETURNING TO POLAR KING.

DATE:

BY:

A19028958

DRAWN BY:

RLM

MODEL NO.:

Model

SCALE:

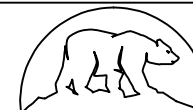
1/4"=1'-0"

DATE:

2-11-20

DRAWING NAME:

A19028958 DD1216



POLAR KING
INTERNATIONAL, INC.
FORT WAYNE, INDIANA 1-800-752-7178

THE REFRIGERATION SYSTEM SHOWN IS DESIGNED TO MAINTAIN INDICATED TEMPERATURE IF PRODUCT ENTERS WITHIN 10°F OF FINAL HOLDING TEMPERATURE. PLEASE CONTACT YOUR SALES REP IF INCOMING PRODUCT WILL BE ENTERING AT HIGHER TEMPERATURES. REFRIGERATION DESIGN IS SUBJECT TO CHANGE FOR IMPROVEMENTS.