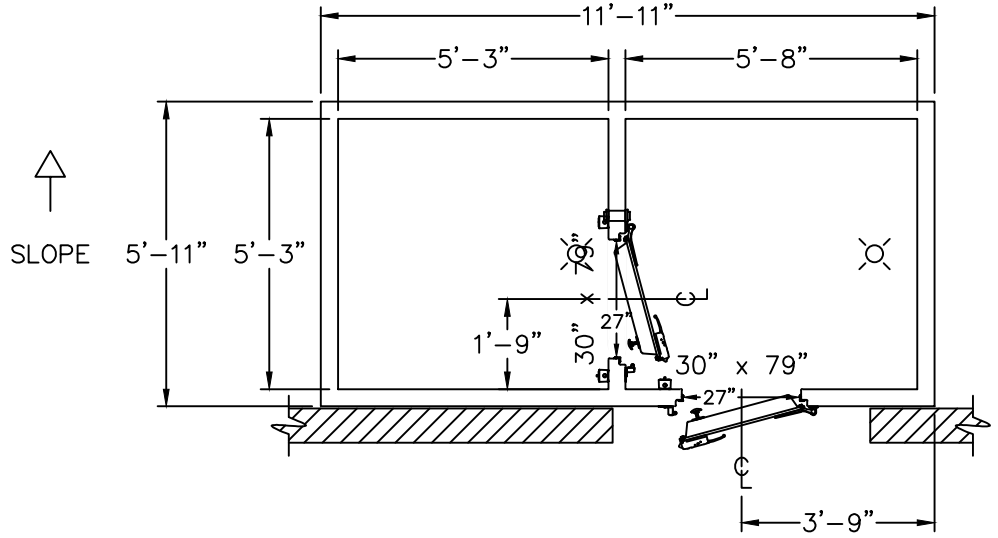


ROOM TEMP.:  
0°F  
 INTERIOR AREA:  
28 sq. ft.  
 HORSEPOWER:  
—  
 REFRIGERANT:  
R-404A  
 ELEC. SUPPLY  
115/208-230  
 PHASE:  
Single  
 CYCLE:  
60 hz.  
 AMPERAGE:  
—

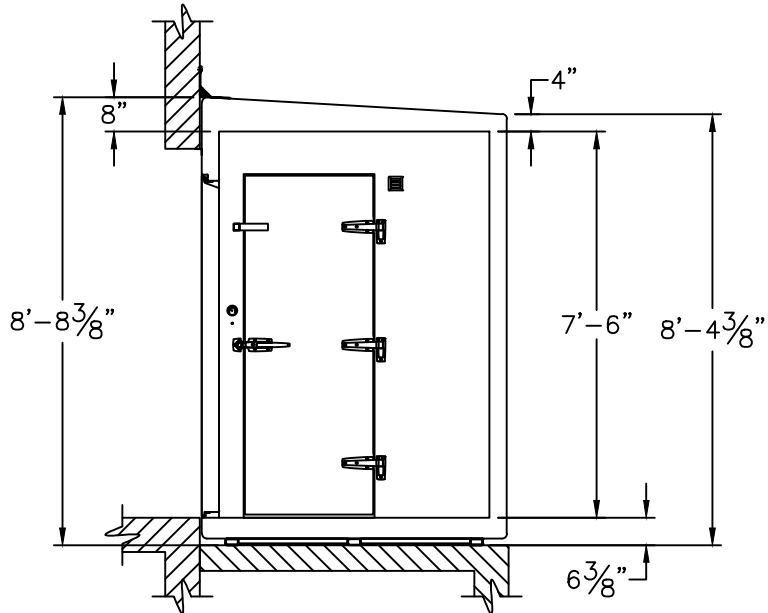
ROOM TEMP.:  
35°F  
 INTERIOR AREA:  
30 sq. ft.  
 HORSEPOWER:  
—  
 REFRIGERANT:  
R-404A  
 ELEC. SUPPLY  
115/208-230  
 PHASE:  
Single  
 CYCLE:  
60 hz.  
 AMPERAGE:  
—



**PLAN VIEW**

Serial No.: A1063037

4" WALLS  
 4" SLOPED ROOF  
 1/2" STANDARD DUTY FLOOR  
 (2) SPRING HINGES



**SECTION VIEW**

**DRAWING APPROVAL**

PLEASE INDICATE YOUR APPROVAL OF THIS DESIGN, THE DIMENSIONS, DOOR LOCATION/SWING, ELECTRICAL REQUIREMENTS, AND EQUIPMENT LOCATIONS BY SIGNING BELOW AND RETURNING TO POLAR KING.

DATE: \_\_\_\_\_ BY: \_\_\_\_\_

A1063037

DRAWN BY: RLM	MODEL NO.: DD612	SCALE: 1/4"=1'-0"	DATE: 4-16-20
------------------	---------------------	----------------------	------------------

DRAWING NAME: A1063037 DD612



**POLAR KING**  
 INTERNATIONAL, INC.  
 FORT WAYNE, INDIANA 1-800-752-7178

THE REFRIGERATION SYSTEM SHOWN IS DESIGNED TO MAINTAIN INDICATED TEMPERATURE IF PRODUCT ENTERS WITHIN 10°F OF FINAL HOLDING TEMPERATURE. PLEASE CONTACT YOUR SALES REP IF INCOMING PRODUCT WILL BE ENTERING AT HIGHER TEMPERATURES. REFRIGERATION DESIGN IS SUBJECT TO CHANGE FOR IMPROVEMENTS.