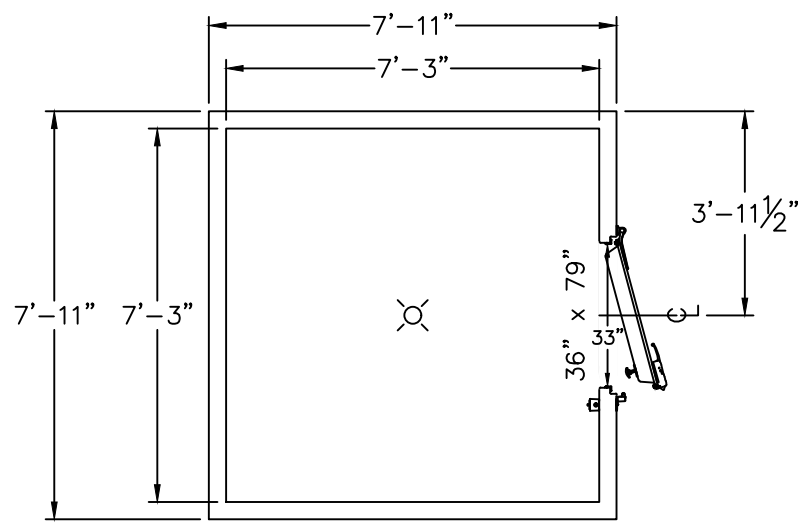


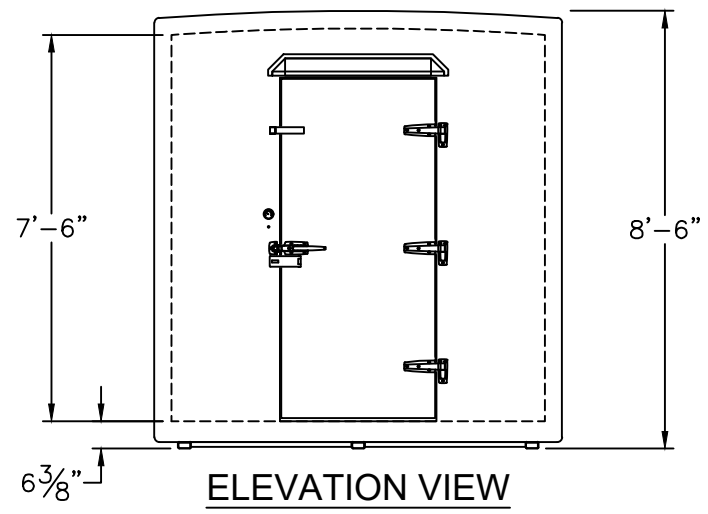
ROOM TEMP.:
 Dry
 INTERIOR AREA:
 53 sq. ft.
 HORSEPOWER:
 —
 REFRIGERANT:
 —
 ELEC. SUPPLY
 115\
 PHASE:
 Single
 CYCLE:
 60 hz.
 AMPERAGE:
 —



PLAN VIEW

SERIAL NUMBER: 96101762

4" WALLS
 4" CROWNED ROOF
 1/2" STANDARD DUTY FLOOR
 SPRING HINGES



ELEVATION VIEW

DRAWING APPROVAL

PLEASE INDICATE YOUR APPROVAL OF THIS DESIGN, THE DIMENSIONS, DOOR LOCATION/SWING, ELECTRICAL REQUIREMENTS, AND EQUIPMENT LOCATIONS BY SIGNING BELOW AND RETURNING TO POLAR KING.

DATE: _____ BY: _____

96101762			
-			
DRAWN BY: RLM	MODEL NO.: D88	SCALE: 1/4"=1'-0"	DATE: 2-11-20
DRAWING NAME: 96101762 D88			



POLAR KING
 INTERNATIONAL, INC.
 FORT WAYNE, INDIANA 1-800-752-7178

THE REFRIGERATION SYSTEM SHOWN IS DESIGNED TO MAINTAIN INDICATED TEMPERATURE IF PRODUCT ENTERS WITHIN 10°F OF FINAL HOLDING TEMPERATURE. PLEASE CONTACT YOUR SALES REP IF INCOMING PRODUCT WILL BE ENTERING AT HIGHER TEMPERATURES. REFRIGERATION DESIGN IS SUBJECT TO CHANGE FOR IMPROVEMENTS.