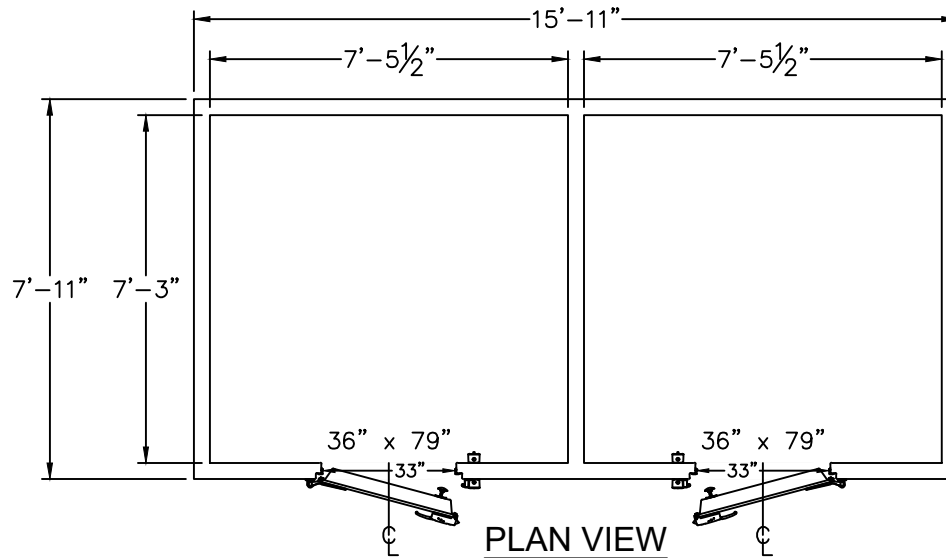


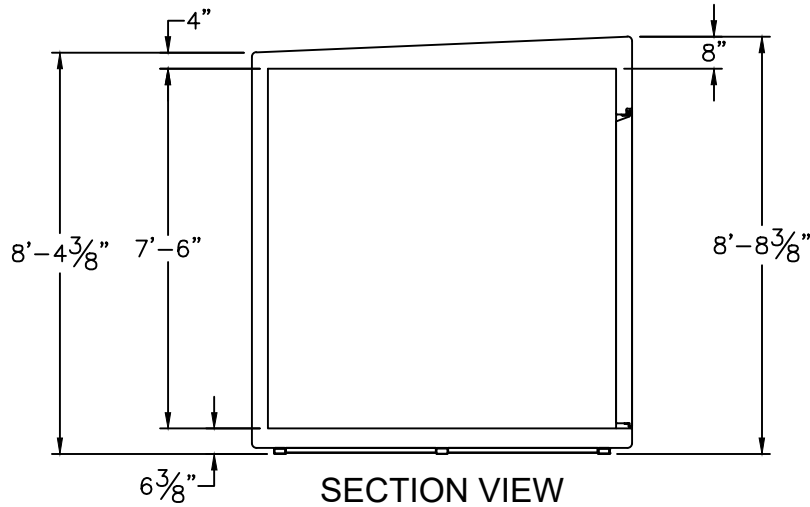
ROOM TEMP.:
Dry
INTERIOR AREA:
54 sq. ft.
HORSEPOWER:
—
REFRIGERANT:
—
ELEC. SUPPLY
115
PHASE:
Single
CYCLE:
60 hz.
AMPERAGE:
MCA

ROOM TEMP.:
Dry
INTERIOR AREA:
54 sq. ft.
HORSEPOWER:
—
REFRIGERANT:
—
ELEC. SUPPLY
115
PHASE:
Single
CYCLE:
60 hz.
AMPERAGE:
MCA



↑
SLOPE

SERIAL NUMBER: 9204724
4" WALLS
4" SLOPED ROOF
1/2" STANDARD DUTY FLOOR



DRAWING APPROVAL

PLEASE INDICATE YOUR APPROVAL OF THIS DESIGN, THE DIMENSIONS, DOOR LOCATION/SWING, ELECTRICAL REQUIREMENTS, AND EQUIPMENT LOCATIONS BY SIGNING BELOW AND RETURNING TO POLAR KING.

DATE: _____ BY: _____

9204724			
-			
DRAWN BY: RLM	MODEL NO.: **816	SCALE: 1/4" = 1'	DATE: 5/11/22
DRAWING NAME: 9204724			



THE REFRIGERATION SYSTEM SHOWN IS DESIGNED TO MAINTAIN INDICATED TEMPERATURE IF PRODUCT ENTERS WITHIN 10°F OF FINAL HOLDING TEMPERATURE. PLEASE CONTACT YOUR SALES REP IF INCOMING PRODUCT WILL BE ENTERING AT HIGHER TEMPERATURES. REFRIGERATION DESIGN IS SUBJECT TO CHANGE FOR IMPROVEMENTS. ALL DIMENSIONS ARE NOMINAL. FINAL DIMENSIONS WILL BE ±1 INCH OF DRAWING DIMENSIONS. CONTACT YOUR SALES REP IF TIGHTER TOLERANCES ARE REQUIRED.